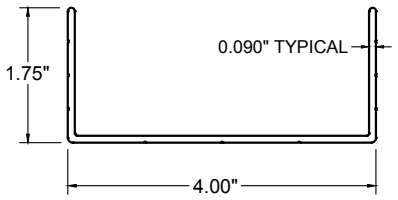


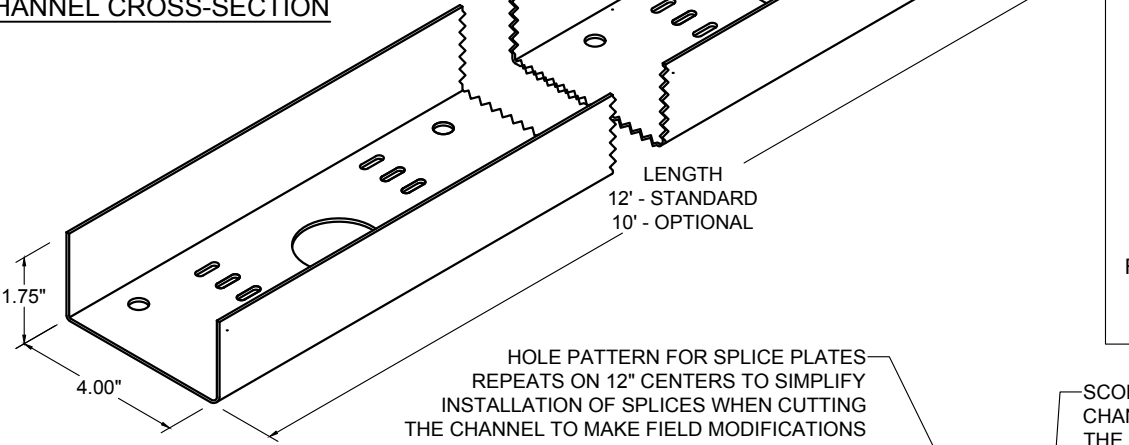


NO.	REVISION	BY	DATE	MATERIAL I.D.
0	APPROVED	TM	04-17-15	ACHV-4
1	ADDED SAFE LOAD & U.L CERT. FOR CSA (CANADA) COMPLIANCE	TM	08-28-15	



CHANNEL CROSS-SECTION

HOLES SIZED FOR 2" SNAP-IN PLASTIC BUSHINGS TO PROTECT CABLES THAT DROP OUT THROUGH HOLE



LENGTH  
12' - STANDARD  
10' - OPTIONAL



2" PLASTIC BUSHING FOR CABLE PROTECTION ORDERED SEPARATELY PART NO. SB-P-2

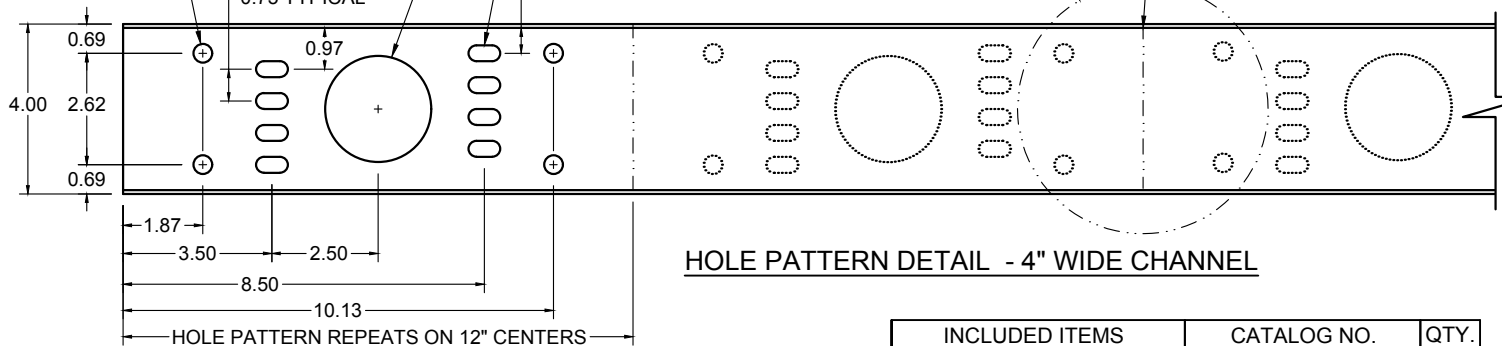
HOLE PATTERN FOR SPLICE PLATES REPEATS ON 12" CENTERS TO SIMPLIFY INSTALLATION OF SPLICES WHEN CUTTING THE CHANNEL TO MAKE FIELD MODIFICATIONS

SCORE LINES ON SURFACE OF CHANNEL ON 12" CENTERS INDICATE THE IDEAL LOCATIONS TO MAKE FIELD CUTS THAT WILL ENSURE ALIGNMENT OF HOLES FOR SPLICE PLATE CONNECTIONS

0.4375" DIA. ROUND HOLES - 4 PLACES REPEATS EVERY 12"

2.50" DIA. ROUND HOLE IN CENTER - 1 PLACE EVERY 12"

0.375" x 0.75" ROUND SLOTS - 8 PLACES EVERY 12"



HOLE PATTERN DETAIL - 4" WIDE CHANNEL



CLASSIFIED BY UNDERWRITERS LABORATORIES AS TO IT'S SUITABILITY AS AN EQUIPMENT GROUNDING CONDUCTOR ONLY PER NEC 392. METAL CABLE TRAY IN ACCORDANCE WITH THE STANDARD FOR CABLE TRAY SYSTEMS CAN/CSA-C22.2 NO. 126 (UL FILE NO. E341872)

<b>MATERIAL:</b> ALUMINUM ALLOY 6063-T6
<b>FINISH:</b> PLAIN
<b>TRAY TYPE:</b> CABLE CHANNEL, VENTED
<b>CHANNEL DEPTH:</b> 1.75" OUTSIDE, 1.66" INSIDE
<b>BOTTOM:</b> 2.50" DIA. HOLES ON 12" CENTERS + TIE-DOWN SLOTS
<b>SAFE LOAD RATING:</b> 12 LBS/FT (17 KG/M) ON 12' (3.6M) SPAN
<b>U.L. CROSS-SECTIONAL AREA:</b> 0.40 SQUARE INCHES
<b>AMP. RATING PER NEC 392:</b> 600 AMPERES

**FITTINGS:** HORIZONTAL AND VERTICAL ELBOWS, TEES, AND CROSSES ARE AVAILABLE WITH 12", 24" AND 36" RADIUS. FITTINGS WITH SQUARE CORNERS ARE ALSO AVAILABLE.

THIS CABLE CHANNEL SYSTEM IS IN FULL COMPLIANCE WITH ALL ASPECTS OF THE LATEST REVISIONS OF NEMA STANDARD VE1, CSA C22.2 NO. 126 AND THE NATIONAL ELECTRIC CODE ARTICLE 392.

	INCLUDED ITEMS	CATALOG NO.	QTY.
	SPLICE PLATE, WRAP-AROUND 4 HOLES	SPW-AC4-(G OR S)4	1 EA.
	RIBBED-NECK SCREW PHILLIPS RECESS 3/8" DIA. x 3/4" LONG	F-RNS-38-34-(G OR S)	4 EA.
	FLANGED HEX NUT 3/8" DIA., SERRATED FACE 9/16" SOCKET SIZE	F-FHN-38-(G OR S)	4 EA.

**SPLICE PLATES:** NECESSARY SPLICE CONNECTORS AND FASTENERS ARE AUTOMATICALLY SUPPLIED WITH ALL CHANNELS. SPLICE RESISTANCE IS LESS THAN 0.00033 OHMS. FASTENER FINISHES ARE GEOMET-PLATED STEEL (G) AND TYPE 316 STAINLESS STEEL (S).

<b>ATKORE</b>		SHEET NO.		
		1 OF 1		
560 WHARTON CIRCLE, SUITE E ATLANTA, GA 30336 USA		PHONE: 404-696-8585		
		FAX: 404-696-8599		
DESCRIPTION CABLE CHANNEL, ALUMINUM, VENTILATED, 1.75" x 4" WIDE		DIMENSIONS INCHES		
		±	CATALOG NUMBER	LENGTH
DRAWING NUMBER ACHV-175-SL-04		ACHV-175-SL12-04-G	12'-0"	GEOMET-PLATED STEEL
		ACHV-175-SL10-04-G	10'-0"	
		ACHV-175-SL12-04-S	12'-0"	316 STAINLESS STEEL
		ACHV-175-SL10-04-S	10'-0"	