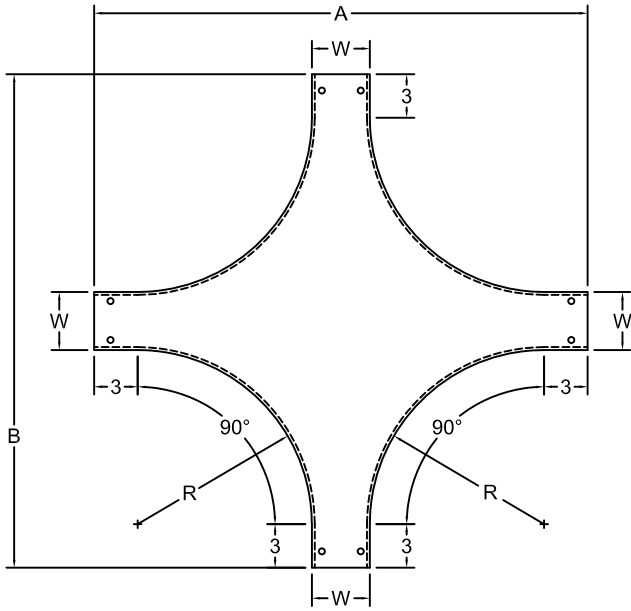
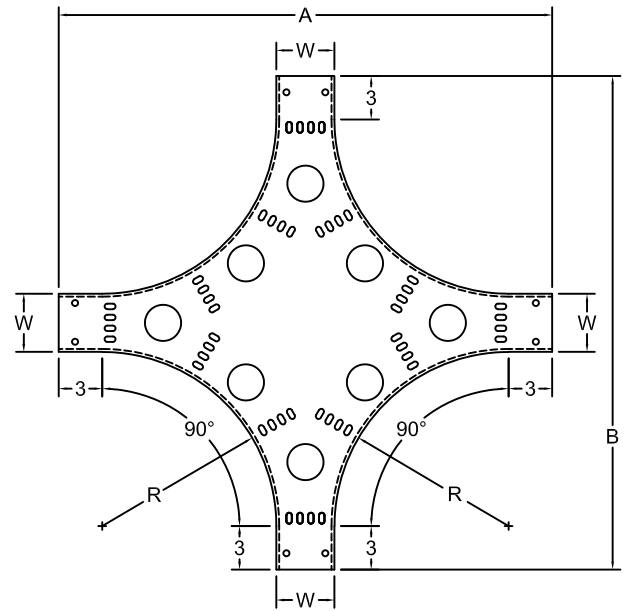




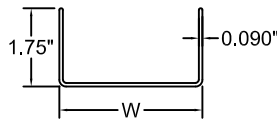
NO.	REVISION	BY	DATE	MATERIAL I.D.
0	APPROVED	TM	12-08-15	HC
1	ADDED OPTION FOR VENTILATED CABLE CHANNEL	KD	02-23-18	



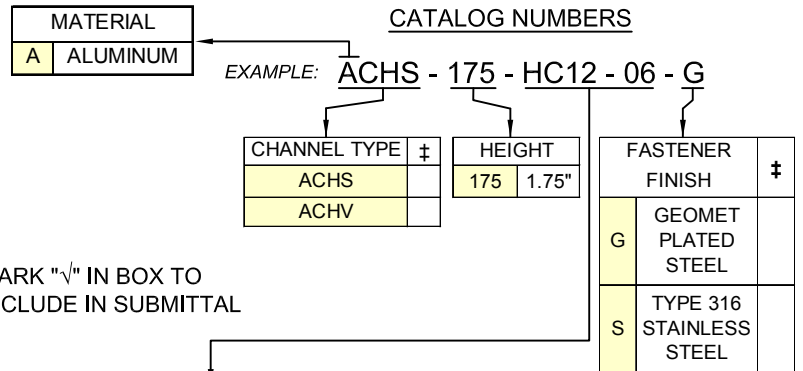
TOP VIEW, SOLID



TOP VIEW, SOLID



CROSS-SECTION



INCLUDED ITEMS	CATALOG NO.*	QTY.
SPLICE PLATE, WRAP-AROUND 4 HOLES	SPW-AC(W*)-(G OR S)4	3 EA.
RIBBED-NECK SCREW PHILLIPS RECESS 3/8" DIA. x 3/4" LONG	F-RNS-38-34-(G OR S)	12 EA.
FLANGED HEX NUT 3/8" DIA., SERRATED FACE 9/16" SOCKET SIZE	F-FHN-38-(G OR S)	12 EA.

(W*) = NOMINAL CHANNEL WIDTH IN INCHES (3, 4, OR 6)

SPLICE PLATES: NECESSARY SPLICE CONNECTORS AND FASTENERS ARE AUTOMATICALLY SUPPLIED WITH ALL CHANNELS. FASTENER FINISHES ARE GEOMET-PLATED STEEL (G) AND TYPE 316 STAINLESS STEEL (S).

CLASSIFIED

 CLASSIFIED BY UNDERWRITERS LABORATORIES AS TO ITS SUITABILITY AS AN EQUIPMENT GROUNDING CONDUCTOR ONLY PER NEC 392. METAL CABLE TRAY IN ACCORDANCE WITH THE STANDARD FOR CABLE TRAY SYSTEMS CAN/CSA-C22.2 NO. 126 (UL FILE NO. E341872)

MATERIAL: ALUMINUM ALLOY 5052

FINISH: PLAIN

TRAY TYPE: CABLE CHANNEL

BOTTOM: SOLID OR VENTILATED

CONSTRUCTION: ARC-WELDED

FITTING CLASS: CHANNEL

TANGENTS: 3" (FLAT SIDE RAIL BEYOND CURVATURE)

THIS CABLE TRAY SYSTEM IS IN FULL COMPLIANCE WITH ALL ASPECTS OF THE LATEST REVISIONS OF NEMA STANDARD VE1, CSA C22.2 NO. 126 AND THE NATIONAL ELECTRIC CODE ARTICLE 392.

‡	CATALOG NUMBER	FITTING DIMENSIONS (INCHES)			
		R	W	A	B
	HC12-03	12	3	33	18
	HC12-04	12	4	34	19
	HC12-06	12	6	36	21
	HC24-03	24	3	57	30
	HC24-04	24	4	58	31
	HC24-06	24	6	60	33
	HC36-03	36	3	81	42
	HC36-04	36	4	82	43
	HC36-06	36	6	84	45

ATKORE		SHEET NO. 1 OF 1
560 WHARTON CIRCLE, SUITE E ATLANTA, GA 30336 USA		PHONE: 404-696-8585 FAX: 404-696-8599
DESCRIPTION HORIZONTAL CROSS FITTING, CABLE CHANNEL, 1.75" DEEP		DIMENSIONS INCHES
DRAWING NUMBER USP-HC-AC		