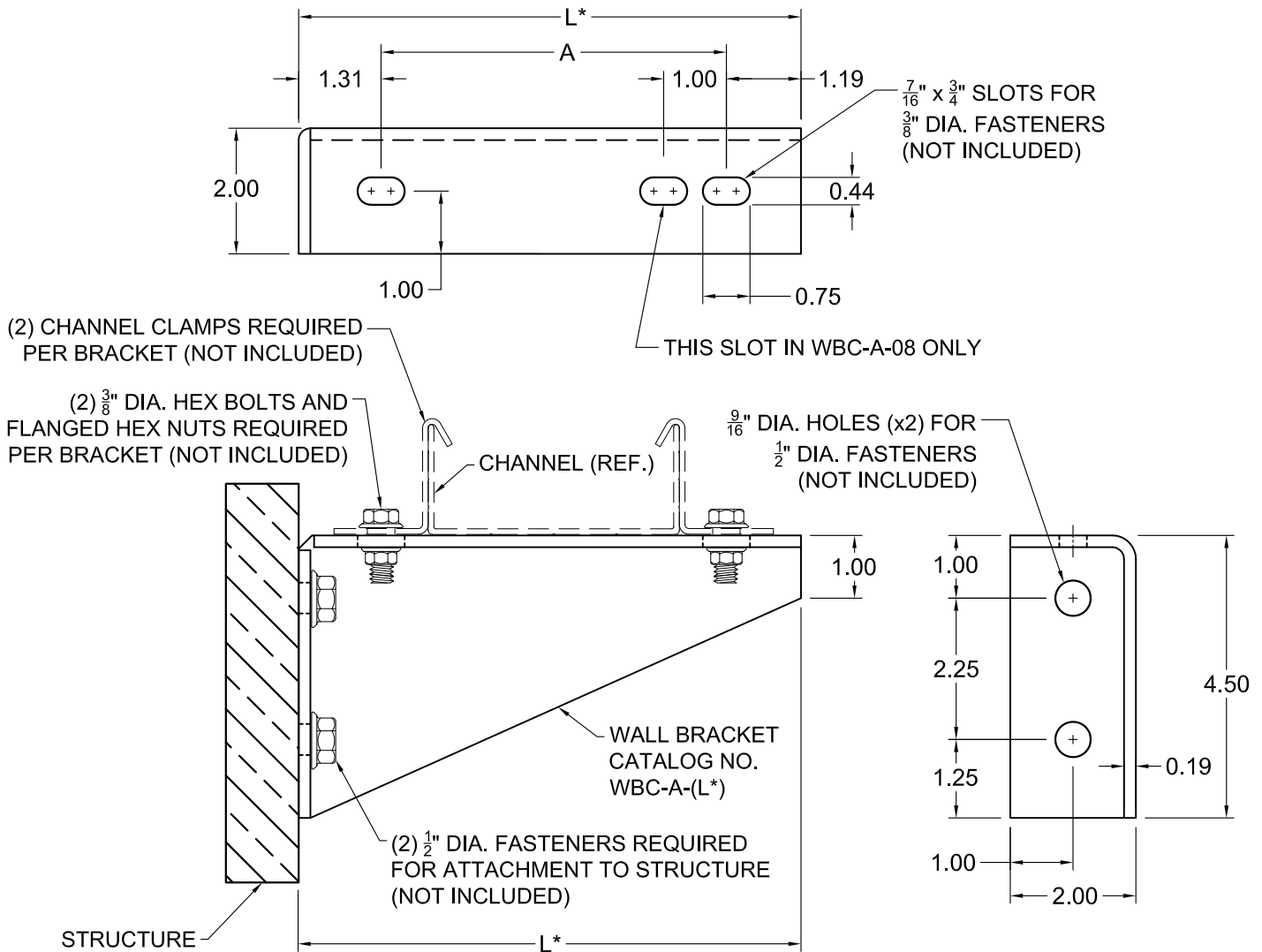


NO.	REVISION	BY	DATE	MATERIAL I.D.
0	APPROVED	TM	12-28-15	WBC



‡	CATALOG NUMBER	BRACKET WIDTH		BRACKET DIMENSIONS	FOR CHANNELS
		L*	ACTUAL	A	
	WBC-A-8	8	8.00"	5.50"	3" AND 4" WIDE
	WBC-A-10	10	10.00"	7.50"	6" WIDE

NOTES:

1. COMPLETE ASSEMBLY CONSISTS OF (1) WALL BRACKET. CLAMPS AND FASTENERS ARE NOT INCLUDED.

MATERIAL: 3/16" THICK ALUMINUM ALLOY 5052

NOTE: ALL DIMENSIONS ARE SUBJECT TO THE MANUFACTURING TOLERANCE SPECIFICATIONS IN DOCUMENT USP-QA-05-02.

ATKORE		SHEET NO. 1 OF 1
560 WHARTON CIRCLE, SUITE E PHONE: 404-696-8585 ATLANTA, GA 30336 USA FAX: 404-696-8599		DIMENSIONS INCHES
DESCRIPTION WALL BRACKETS FOR CABLE CHANNELS		
CATALOG NUMBER WBC-A-(L*)		CATALOG NUMBER VARIABLES L* = BRACKET WIDTH (08 = 8", 10 = 10")