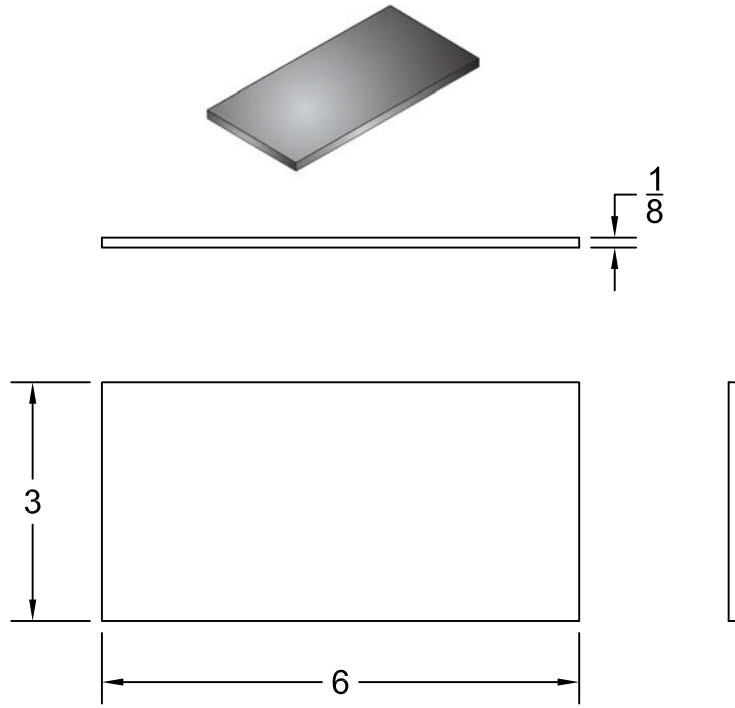




NO.	REVISION	BY	DATE	MATERIAL I.D.
0	APPROVED	WW	05-01-11	NP



MATERIAL NOTES:

1. NYLON 101, TYPE 66 IS AN EXTRUDED FORM OF POLYAMIDE, OFFERING RIGIDITY, STRENGTH, WEAR RESISTANCE, AND HEAT RESISTANCE UP TO 210°F.
2. MELTING POINT: 500°F, 260°C.
3. FLAMMABILITY, UL94 (ESTIMATED RATING): V-2.
4. COLOR: BLACK (OFFERS BEST RESISTANCE TO SUNLIGHT U.V.)
5. SERVICE IN SUNLIGHT: ACCEPTABLE

APPLICATION NOTES:

1. NYLON PADS ARE COMMONLY USED IN ELECTRICAL CONSTRUCTION APPLICATIONS TO ISOLATE METALLIC CABLE TRAY SYSTEMS FROM THEIR SUPPORT STRUCTURES.
2. NYLON PADS PROVIDE A SMOOTH BEARING SURFACE AND RESISTANCE TO WEAR AT SUPPORT POINTS WHERE THERE IS RELATIVE MOVEMENT BETWEEN CABLE TRAY SIDE RAILS AND SUPPORTS CAUSED BY THERMAL CONTRACTION AND EXPANSION OF THE TRAY SYSTEM.
3. NYLON PADS CAN BE USED TO PROVIDE A BARRIER BETWEEN CABLE TRAYS AND SUPPORTS IN APPLICATIONS WHERE CORROSION BETWEEN DISSIMILAR METALS IS A CONCERN.
4. PADS ARE TYPICALLY INSTALLED AT POINTS OF CONTACT BETWEEN THE CABLE TRAY SIDE RAILS AND THEIR SUPPORTS.

GENERAL NOTES:

1. COMPLETE ASSEMBLY CONSISTS OF ONE NYLON PAD AS SHOWN.
2. OTHER SIZES ARE AVAILABLE UP TO MAX. 24" x 48" SHEETS, CONSULT FACTORY FOR LEAD TIMES.
3. FACTORY-DRILLED HOLES ARE AVAILABLE OPTIONS, CONSULT FACTORY.

MATERIAL: EXTRUDED NYLON

NOTE: ALL DIMENSIONS ARE SUBJECT TO THE MANUFACTURING TOLERANCE SPECIFICATIONS IN DOCUMENT USP-QA-05-02.

ATKORE		SHEET NO. 1 OF 1
560 WHARTON CIRCLE, SUITE E ATLANTA, GA 30336 USA		PHONE: 404-696-8585 FAX: 404-696-8599
DESCRIPTION NYLON ISOLATION PAD		
CATALOG NUMBER NP-36		CATALOG NUMBER VARIABLES
DIMENSIONS INCHES		