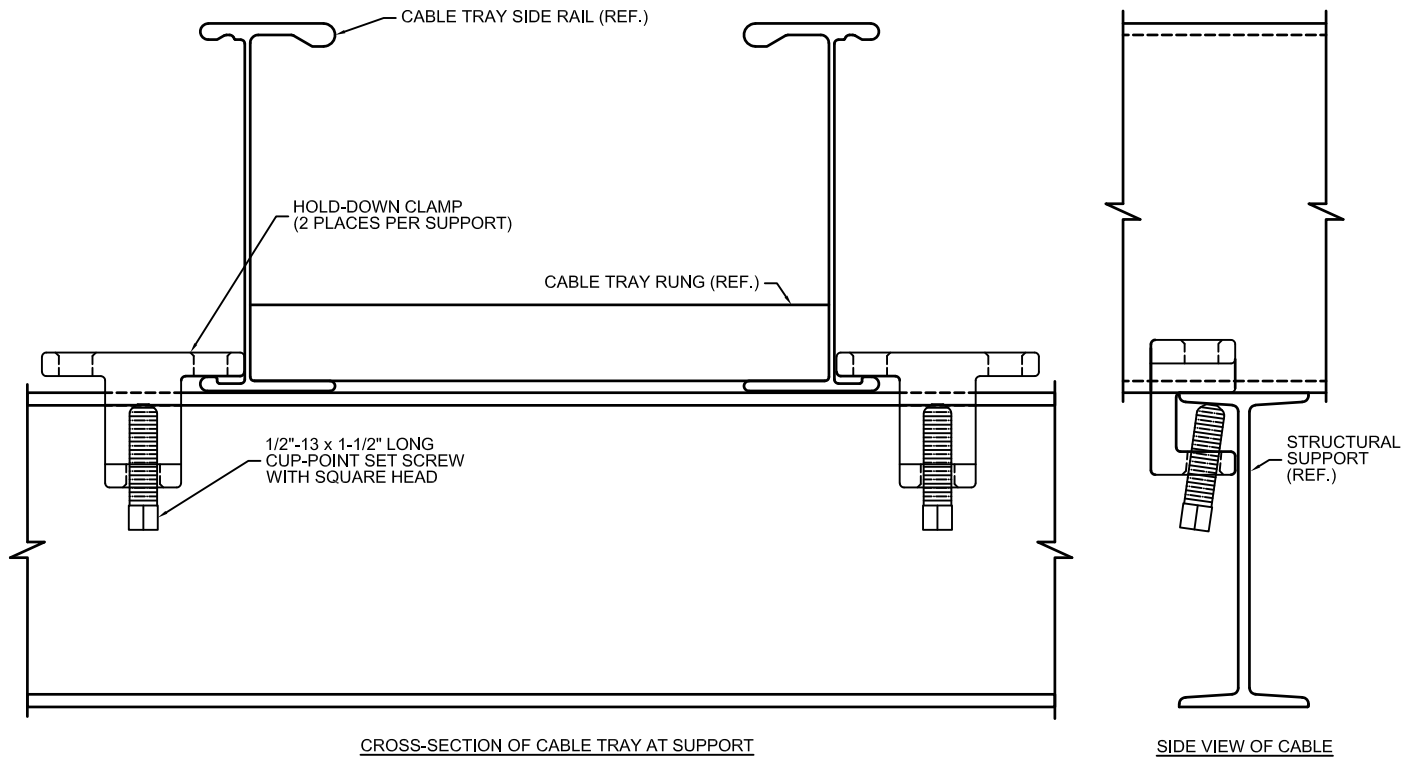
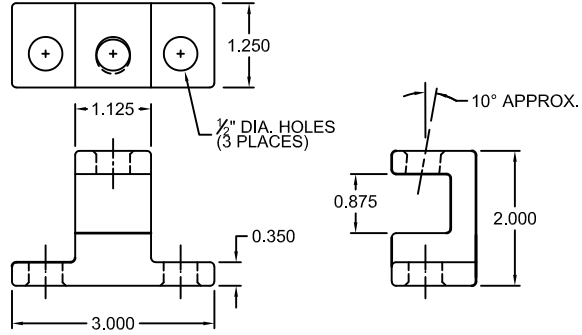
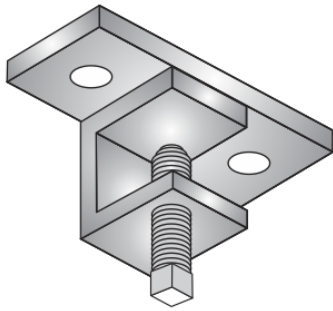


NO.	REVISION	BY	DATE	MATERIAL I.D.
0	APPROVED	TM	06-18-12	HEB



F*	FASTENER MATERIAL	INCLUDED FASTENERS	FASTENER CATALOG NO.	QTY.	‡
G	GEOMET-PLATED STEEL	1/2" x 1-1/2" CUP-POINT SET SCREW	F-CSS-12-15-G	1	
S	STAINLESS STEEL TYPE 18-8	1/2" x 1-1/2" CUP-POINT SET SCREW	F-CSS-12-15-S	1	

NOTES:

1. COMPLETE ASSEMBLY CONSISTS OF (1) CLAMP AND FASTENERS INDICATED.
2. INSTALL CLAMP BY FASTENING TO STRUCTURAL SUPPORT FIRST, THEN TIGHTEN SCREWS TO SECURE CABLE TRAY.
3. REFER TO NEMA STD. PUB. VE2 "CABLE TRAY INSTALLATION GUIDELINES" FOR DETAILED PLACEMENT INSTRUCTIONS.

MATERIAL: MALLEABLE CAST IRON HOT-DIP GALV. AFTER FAB. / ASTM A123

NOTE: ALL DIMENSIONS ARE SUBJECT TO THE MANUFACTURING TOLERANCE SPECIFICATIONS IN DOCUMENT USP-QA-05-02.

ATKORE		SHEET NO. 1 OF 1
560 WHARTON CIRCLE, SUITE E ATLANTA, GA 30336 USA		PHONE: 404-696-8585 FAX: 404-696-8599
DESCRIPTION EXPANSION GUIDE CLAMP, I-BEAM		
CATALOG NUMBER	CATALOG NUMBER VARIABLES	
HEB-H-(F*)	F* = FASTENER FINISH (G OR S)	