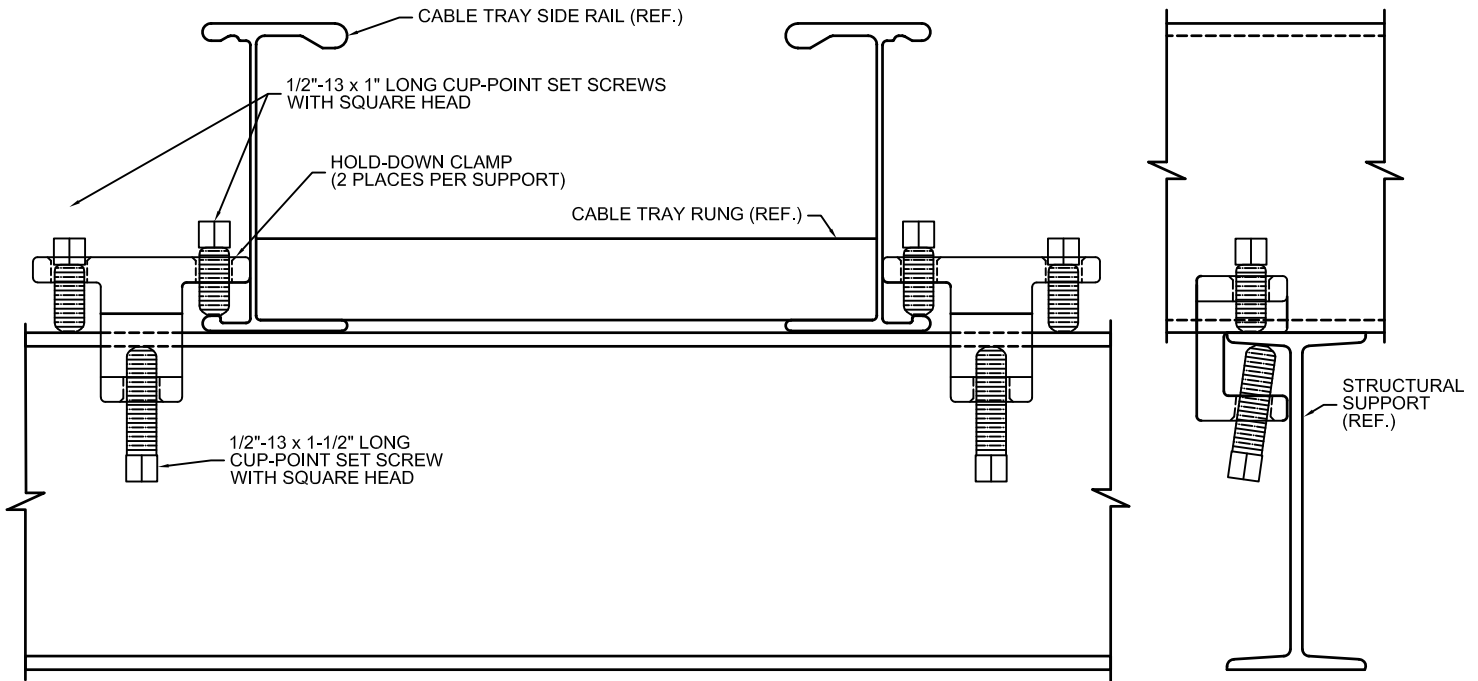
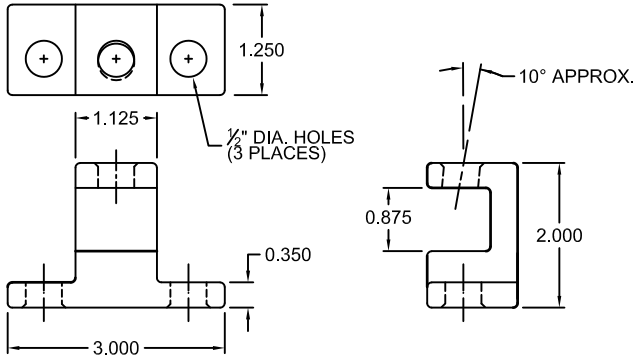
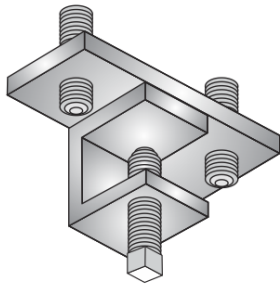


NO.	REVISION	BY	DATE	MATERIAL I.D.
0	APPROVED	TM	06-18-12	HHB



CROSS-SECTION OF CABLE TRAY AT SUPPORT

SIDE VIEW OF CABLE TRAY AT SUPPORT

F*	FASTENER MATERIAL	INCLUDED FASTENERS	FASTENER CATALOG NO.	QTY.	‡
G	GEOMET-PLATED STEEL	1/2" x 1" CUP-POINT SET SCREW	F-CSS-12-1-G	2	
		1/2" x 1-1/2" CUP-POINT SET SCREW	F-CSS-12-15-G	1	
S	STAINLESS STEEL, TYPE 18-8	1/2" x 1" CUP-POINT SET SCREW	F-CSS-12-1-S	2	
		1/2" x 1-1/2" CUP-POINT SET SCREW	F-CSS-12-15-S	1	

NOTES:

1. COMPLETE ASSEMBLY CONSISTS OF (1) CLAMP AND FASTENERS INDICATED.
2. INSTALL CLAMP BY FASTENING TO STRUCTURAL SUPPORT FIRST, THEN TIGHTEN SCREWS TO SECURE CABLE TRAY.
3. REFER TO NEMA STD. PUB. VE2 "CABLE TRAY INSTALLATION GUIDELINES" FOR DETAILED PLACEMENT INSTRUCTIONS.

MATERIAL: MALLEABLE CAST IRON HOT-DIP GALV. AFTER FAB. / ASTM A123

NOTE: ALL DIMENSIONS ARE SUBJECT TO THE MANUFACTURING TOLERANCE SPECIFICATIONS IN DOCUMENT USP-QA-05-02.

ATKORE		SHEET NO.
560 WHARTON CIRCLE, SUITE E ATLANTA, GA 30336 USA		1 OF 1
PHONE: 404-696-8585 FAX: 404-696-8599		DIMENSIONS INCHES
DESCRIPTION HOLD DOWN CLAMP, I-BEAM		
CATALOG NUMBER	CATALOG NUMBER VARIABLES	
HHB-H-(F*)	F* = FASTENER FINISH (G OR S)	