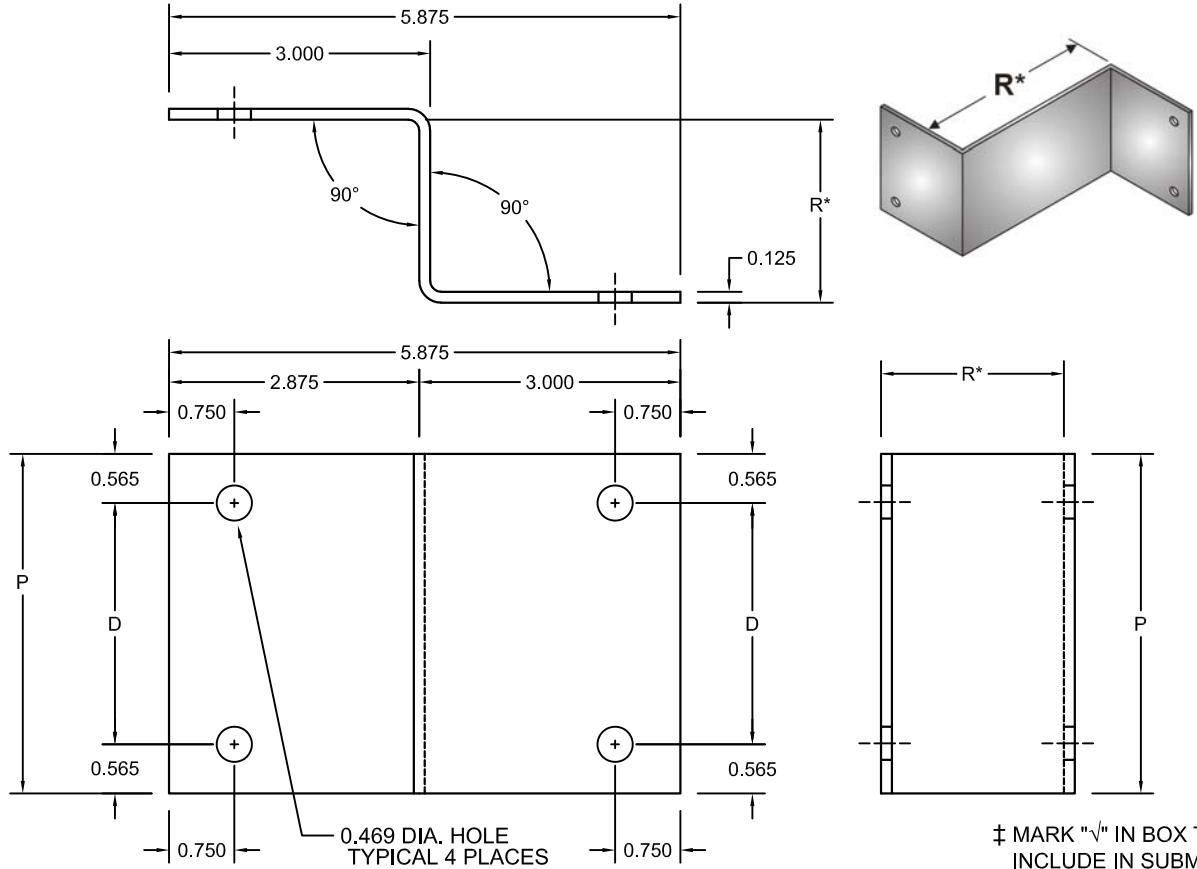




NO.	REVISION	BY	DATE	MATERIAL I.D.
0	APPROVED	TM	04-16-12	SPR
1	ADDED U.L. INFO, REV. LAYOUT	KD	12-06-17	



‡ MARK "1/4" IN BOX TO INCLUDE IN SUBMITTAL

TRAY SIDE RAIL HEIGHT		CATALOG NUMBER	P	D	MATERIAL	PLATE QTY.	‡
H* (NOMINAL)	ACTUAL						
4	4.25"	SPR-(R*)-A4-(F*)4	3.75"	2.62"	0.125" SHEET	1	
5	5.25"	SPR-(R*)-A5-(F*)4	4.75"	3.62"	0.125" SHEET	1	
6	6.25"	SPR-(R*)-A6-(F*)4	5.75"	4.62"	0.125" SHEET	1	
7	7.25"	SPR-(R*)-A7-(F*)4	6.75"	5.62"	0.125" SHEET	1	

R* WIDTH REDUCTION		‡
R*	WIDTH REDUCTION	
1.5	1.5"	
03	3"	
4.5	4.5"	
06	6.5"	
7.5	7.5"	
09	9"	
10.5	10.5"	
12	12"	
13.5	13.5"	
15	15"	
18	18"	
21	21"	
24	24"	
27	27"	
30	30"	

F*	FASTENER MATERIAL	INCLUDED FASTENERS	FASTENER CATALOG NO.	QTY.	‡
G	GEOMET-PLATED STEEL	3/8" x 3/4" RIBBED-NECK SCREW	F-RNS-38-34-G	4	
		3/8" FLANGED HEX NUT	F-FHN-38-G	4	
S	TYPE 316 STAINLESS STEEL	3/8" x 3/4" RIBBED-NECK SCREW	F-RNS-38-34-S	4	
		3/8" FLANGED HEX NUT	F-FHN-38-S	4	

NOTES:

1. COMPLETE ASSEMBLY CONSISTS OF (1) PLATE WITH FASTENERS INDICATED.
2. FOR A COMPLETE TRAY COUPLING INSTALL THIS PLATE ON ONE TRAY SIDE RAIL AND ANOTHER REDUCING PLATE OR STRAIGHT SPLICE PLATE (BOTH SUPPLIED SEPARATELY) ON THE OTHER SIDE RAIL.

CLASSIFIED

 UL FILE E341872
 CABLE TRAYS EMPLOYING THESE CONNECTORS ARE CLASSIFIED BY UNDERWRITERS LABORATORIES TO BE SUITABLE FOR USE AS EQUIPMENT GROUNDING CONDUCTORS. BONDING JUMPERS ARE NOT REQUIRED TO MAINTAIN GROUND PATH INTEGRITY. RESISTANCE ACROSS COUPLING IS LESS THAN 0.00033 OHMS. CERTIFIED BY U.L. TO MEET NEC. 392 AND NEMA STD. VE1, CSA-C22.2 NO. 126.1.

MATERIAL: ALUMINUM SHEET 5052-H32

NOTE: ALL DIMENSIONS ARE SUBJECT TO THE MANUFACTURING TOLERANCE SPECIFICATIONS IN DOCUMENT USP-QA-05-02.

ATKORE

560 WHARTON CIRCLE, SUITE E ATLANTA, GA 30336 USA
 PHONE: 404-696-8585 FAX: 404-696-8599

SHEET NO.
1 OF 1

DIMENSIONS
INCHES

DESCRIPTION

REDUCING SPLICE PLATES - 4 HOLES

CATALOG NUMBER

SPR-(R*)-A(H*)-(F*)4

CATALOG NUMBER VARIABLES

H* = NOMINAL TRAY SIDE RAIL HEIGHT IN INCHES (4, 5, 6, 7)
 F* = FASTENER MATERIAL (G OR S)