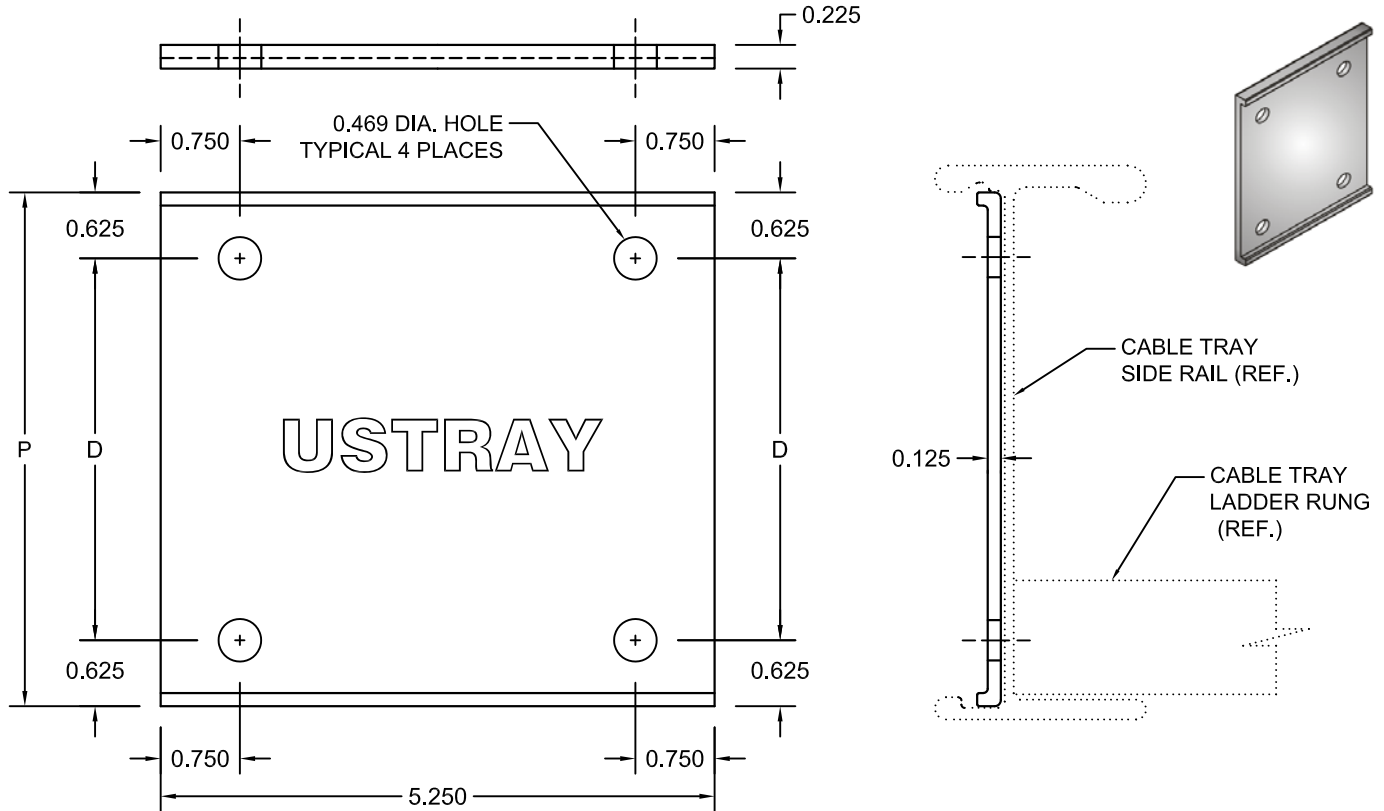




NO.	REVISION	BY	DATE	MATERIAL I.D.
0	APPROVED	TM	01-04-11	SPS
1	ADDED U.L. INFO, REV. LAYOUT	TM	07-22-15	



NOTES:

1. COMPLETE ASSEMBLY CONSISTS OF (2) PLATES WITH FASTENERS INDICATED.

2. INSTALL IN ACCORDANCE WITH NEMA STANDARD VE-2 CABLE TRAY INSTALLATION GUIDELINES AND THE INSTRUCTIONS SHOWN ON SHEET 2 OF 2.

3. NECESSARY STRAIGHT SPLICE PLATES WITH FASTENERS ARE AUTOMATICALLY SUPPLIED WITH ALL CABLE TRAY STRAIGHT SECTIONS AND FITTINGS AT NO EXTRA CHARGE. EXTRAS FOR FIELD CUTS OR SPARES SHOULD BE ORDERED SEPARATELY.

4. THESE ARE THE STANDARD SPLICE PLATE CONNECTORS FOR USE WITH ALL STANDARD CLASS 1 AND 2 CABLE TRAY SYSTEMS.

‡	CATALOG NUMBER	TRAY SIDE RAIL HEIGHT		PLATE DIMENSIONS		PLATE QTY.
		H*	ACTUAL	P	D	
	SPS-A4-(F*)4	4	4.25"	3.87"	2.62"	2
	SPS-A5-(F*)4	5	5.25"	4.87"	3.62"	2
	SPS-A6-(F*)4	6	6.25"	5.87"	4.62"	2
	SPS-A7-(F*)4	7	7.25"	6.87"	5.62"	2

‡	F*	FASTENER MATERIAL	INCLUDED FASTENERS	FASTENER CATALOG NO.	QTY.
	G	GEOMET-PLATED STEEL	3/8" x 3/4" RIBBED-NECK SCREW	F-RNS-38-34-G	8
			3/8" FLANGED HEX NUT	F-FHN-38-G	8
	S	TYPE 316 STAINLESS STEEL	3/8" x 3/4" RIBBED-NECK SCREW	F-RNS-38-34-S	8
			3/8" FLANGED HEX NUT	F-FHN-38-S	8

‡ MARK "√" IN BOX TO INCLUDE IN SUBMITTAL



CABLE TRAYS EMPLOYING THESE CONNECTORS ARE CLASSIFIED BY UNDERWRITERS LABORATORIES TO BE SUITABLE FOR USE AS EQUIPMENT GROUNDING CONDUCTORS. BONDING JUMPERS ARE NOT REQUIRED TO MAINTAIN GROUND PATH INTEGRITY. RESISTANCE ACROSS COUPLING IS LESS THAN 0.00033 OHMS. CERTIFIED BY U.L. TO MEET NEC. 392 AND NEMA STD. VE1, CSA-C22.2 NO. 126.1.

MATERIAL: EXTRUDED ALUMINUM ALLOY 6063-T6

NOTE: ALL DIMENSIONS ARE SUBJECT TO THE MANUFACTURING TOLERANCE SPECIFICATIONS IN DOCUMENT USP-QA-05-02.

ATKORE

560 WHARTON CIRCLE, SUITE E
ATLANTA, GA 30336 USA

PHONE: 404-696-8585
FAX: 404-696-8599

SHEET NO.
1 OF 2

DIMENSIONS
INCHES

DESCRIPTION

STRAIGHT SPLICE PLATE CONNECTORS - 4 HOLES

CATALOG NUMBER

SPS-A(H*)-(F*)4

CATALOG NUMBER VARIABLES

H* = NOMINAL TRAY SIDE RAIL HEIGHT IN INCHES (4, 5, 6, 7)
F* = FASTENER MATERIAL (G OR S)

NO.	REVISION	BY	DATE	MATERIAL I.D.
0	APPROVED	TM	04-10-12	SPS
1	ADDED U.L. INFO, REV. LAYOUT	KD	12-06-17	

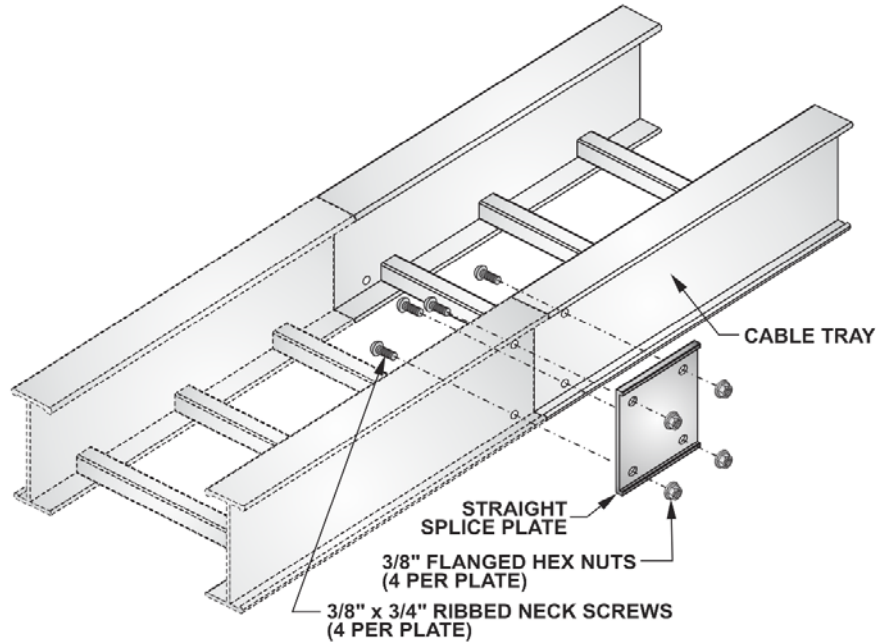


FIGURE 1
SPLICE PLATE INSTALLATION

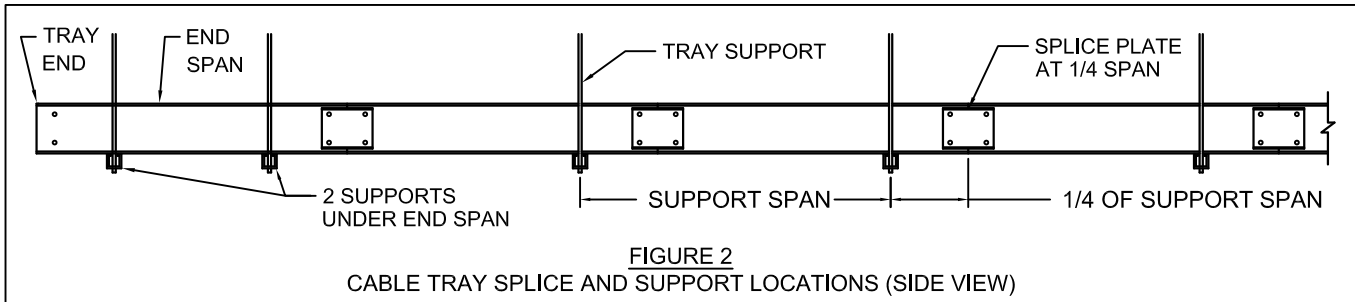


FIGURE 2
CABLE TRAY SPLICE AND SUPPORT LOCATIONS (SIDE VIEW)

SPLICE PLATE INSTALLATION:

1. INSTALL PLATES ON THE OUTSIDE OF BOTH TRAY SIDE RAILS WITH THE PLATE FLANGES FACING OUTWARD.
2. INSTALL SCREWS WITH HEADS ON THE INSIDE OF THE TRAY AND HEX NUTS ON THE OUTSIDE OF THE TRAY.
3. TO ENSURE PROPER ALIGNMENT, FINGER-TIGHTEN ALL NUTS FIRST. THEN TURN EACH NUT $\frac{1}{2}$ TURN WITH A WRENCH. THEN TIGHTEN THE NUTS WITH ENOUGH TORQUE TO PULL THE UNDERSIDE OF THE SCREW HEADS INTO CONTACT WITH THE TRAY SIDE RAIL.
4. THE RIBBED NECK OF THE SCREW IS DESIGNED TO GRIP THE SIDE RAIL AND PREVENT ROTATION WHILE TIGHTENING. IF ROTATION DOES OCCUR, USE A PHILLIPS DRIVER TO SECURE THE SCREW HEAD WHILE TIGHTENING THE NUT.
5. IDEAL LOCATION OF SPLICE COUPLING IS AT THE QUARTER POINT OF THE SUPPORT SPAN AS SHOWN IN FIGURE 2. AVOID PLACING SPLICES AT THE MIDDLE OF THE SPAN OR DIRECTLY OVER THE SUPPORTS.
6. THE SUPPORT SPAN SHOULD BE LESS THAN OR EQUAL TO THE STRAIGHT SECTION LENGTH.
7. NO MORE THAN ONE SPLICE COUPLING SHOULD BE LOCATED BETWEEN SUPPORTS.
8. TRAYS CONNECTED PROPERLY WITH STRAIGHT SPLICE PLATES DO NOT REQUIRE THE USE OF BONDING JUMPERS TO MAINTAIN GROUND PATH INTEGRITY. ELECTRICAL RESISTANCE ACROSS COUPLING IS LESS THAN 0.00033 OHMS PER NEMA STANDARD PUB. VE1 SECTION 5.1.
9. USE 7/16" BIT TO DRILL NEW HOLES IN SIDE RAILS WHEN MAKING FIELD MODIFICATIONS.
10. REFER TO NEMA STANDARD PUB. VE2 "CABLE TRAY INSTALLATION GUIDELINES" FOR MORE INFORMATION.

NECESSARY STRAIGHT SPLICE PLATES WITH FASTENERS ARE AUTOMATICALLY SUPPLIED WITH ALL STRAIGHT TRAY SECTIONS AND FITTINGS AT NO EXTRA CHARGE. EXTRAS FOR FIELD CUTS OR SPARES SHOULD BE ORDERED SEPARATELY.

MATERIAL: EXTRUDED ALUMINUM 6063-T6

NOTE: ALL DIMENSIONS ARE SUBJECT TO THE MANUFACTURING TOLERANCE SPECIFICATIONS IN DOCUMENT USP-QA-05-02.

ATKORE		SHEET NO. 2 OF 2
560 WHARTON CIRCLE, SUITE E ATLANTA, GA 30336 USA		PHONE: 404-696-8585 FAX: 404-696-8599
DESCRIPTION STRAIGHT SPLICE PLATE INSTALLATION		
CATALOG NUMBER	CATALOG NUMBER VARIABLES	
SPS-A(H*)-(F*)4	H* = NOMINAL TRAY SIDE RAIL HEIGHT IN INCHES (4, 5, 6, 7) F* = FASTENER MATERIAL (G OR S)	
		DIMENSIONS INCHES