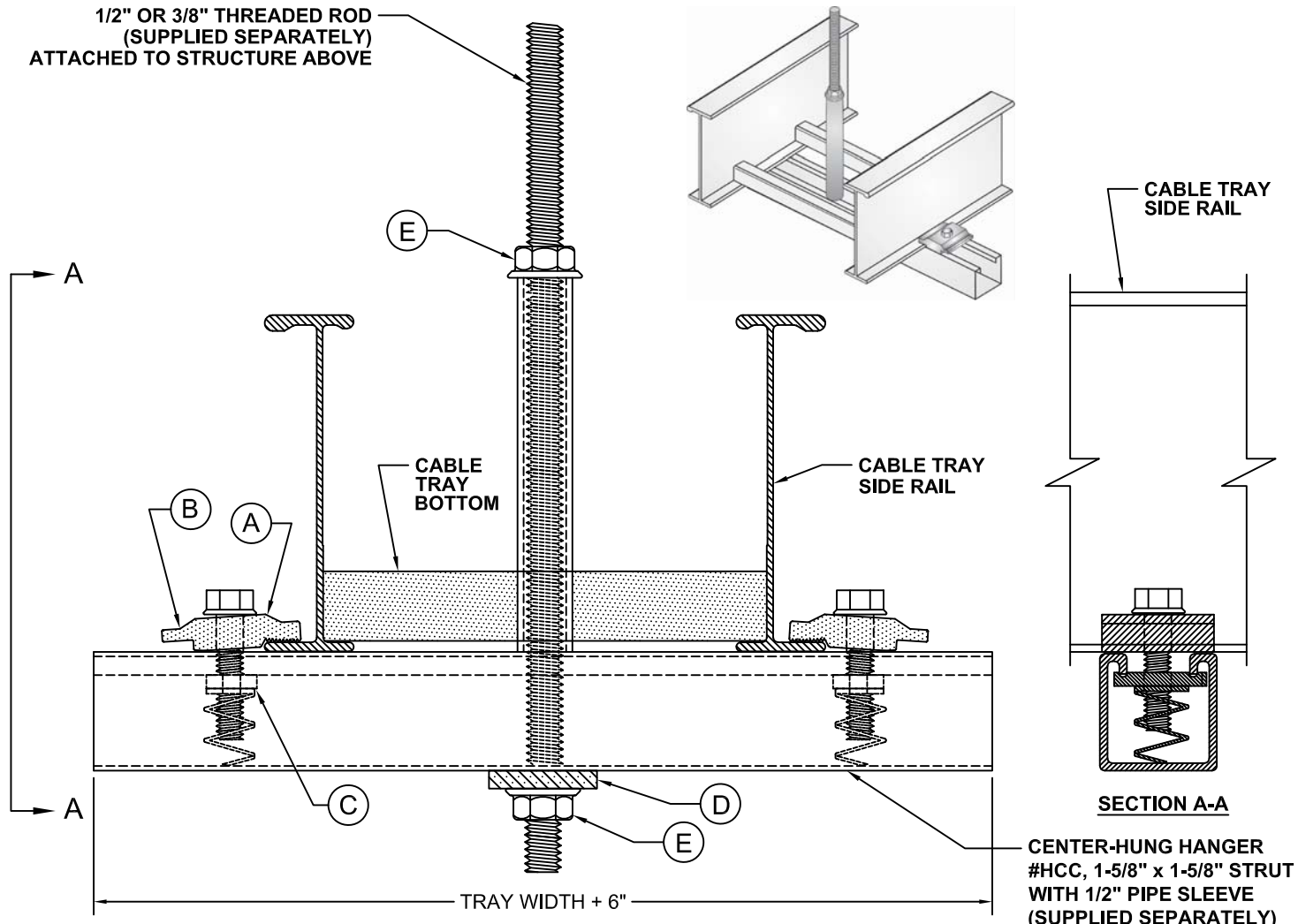




NO.	REVISION	BY	DATE	MATERIAL I.D.
0	APPROVED	TM	04-17-11	SKCL



CENTER-HUNG CABLE TRAY SUPPORT ASSEMBLY

F*	FASTENER FINISH	‡
Z	ZINC-PLATED STEEL	
S	TYPE 316 STAINLESS STEEL	

‡ MARK "√" IN BOX TO INCLUDE IN SUBMITTAL

THREAD ROD		SUPPORT HARDWARE KIT CONTENTS				
R*	DIA.	PART	DESCRIPTION	CATALOG NO.	QTY.	‡
38	3/8"	A	HOLD DOWN CLIP, LIGHT-DUTY	HDL-A	2	
		B	HEX HEAD BOLT, 1/4" x 1-1/2"	F-HHB-14-15-(F*)	2	
		C	SPRING NUT, 1/4"	F-CNS-14-(F*)	2	
		D	SQUARE WASHER, 1-1/2", 3/8" HOLE	F-SCW-38-(F*)	1	
		E	FLANGED HEX NUT, 3/8"	F-FHN-38-(F*)	2	
12	1/2"	A	HOLD DOWN CLIP, LIGHT-DUTY	HDL-A	2	
		B	HEX HEAD BOLT, 1/4" x 1-1/2"	F-HHB-14-15-(F*)	2	
		C	SPRING NUT, 1/4"	F-CNS-14-(F*)	2	
		D	SQUARE WASHER, 1-1/2", 1/2" HOLE	F-SCW-12-(F*)	1	
		E	FLANGED HEX NUT, 1/2"	F-FHN-12-(F*)	2	

NOTES:

1. COMPLETE ASSEMBLY CONSISTS OF ALL ITEMS LISTED IN CONTENTS TABLE ABOVE.
2. THIS KIT IS DESIGNED FOR USE WITH CLASS 1 CABLE TRAY SYSTEMS ONLY.
3. THREADED RODS, CENTER HANGER, AND FASTENERS FOR ATTACHMENT TO STRUCTURE ARE SUPPLIED SEPARATELY.

MATERIAL: AS NOTED

NOTE: ALL DIMENSIONS ARE SUBJECT TO THE MANUFACTURING TOLERANCE SPECIFICATIONS IN DOCUMENT USP-QA-05-02.

ATKORE		SHEET NO. 1 OF 1
560 WHARTON CIRCLE, SUITE E ATLANTA, GA 30336 USA		PHONE: 404-696-8585 FAX: 404-696-8599
DIMENSIONS INCHES		
DESCRIPTION SUPPORT HDWE. KIT, CENTER-HUNG, LIGHT-DUTY		
CATALOG NUMBER SKCL-A-(F*)-(R*)	CATALOG NUMBER VARIABLES F*= FASTENER FINISH (Z OR S) R*= THREADED ROD DIA. (38 OR 12)	