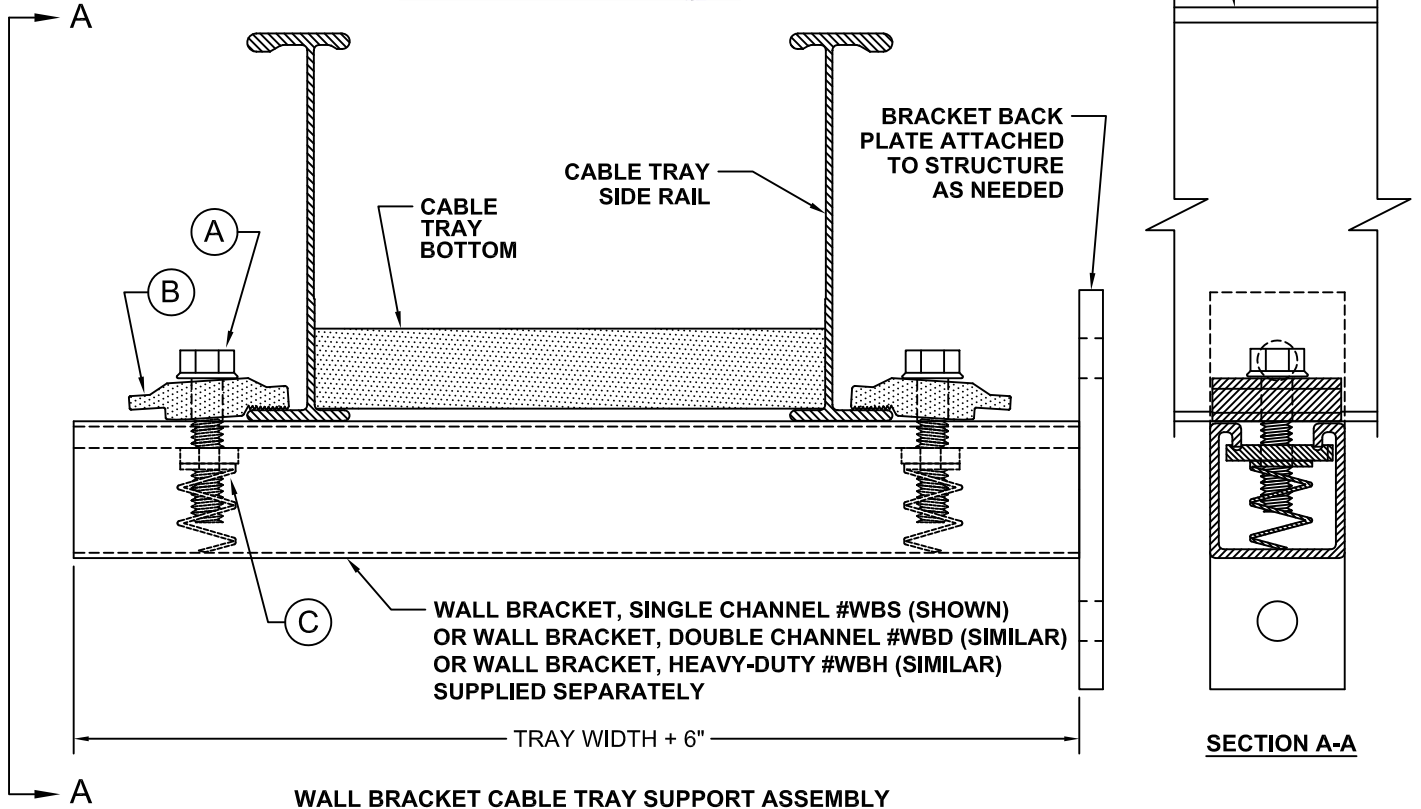
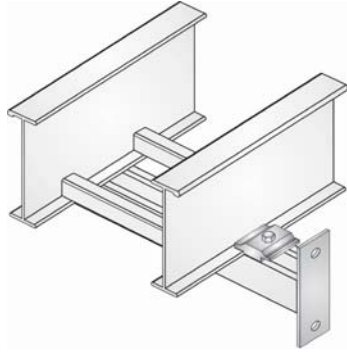


NO.	REVISION	BY	DATE	MATERIAL I.D.
0	APPROVED	TM	04-17-11	SKWL



WALL BRACKET CABLE TRAY SUPPORT ASSEMBLY

SUPPORT HARDWARE KIT CONTENTS				
PART	DESCRIPTION	CATALOG NO.	QTY.	‡
A	HOLD DOWN CLIP, LIGHT-DUTY	HDL-A	2	
B	HEX HEAD BOLT, 1/4" x 1-1/2"	F-HHB-14-15-(F*)	2	
C	SPRING NUT, 1/4"	F-CNS-14-(F*)	2	

F*	FASTENER FINISH	‡
Z	ZINC-PLATED STEEL	
S	TYPE 316 STAINLESS STEEL	

‡ MARK "√" IN BOX TO INCLUDE IN SUBMITTAL

NOTES:

1. COMPLETE ASSEMBLY CONSISTS OF ALL ITEMS LISTED IN CONTENTS TABLE ABOVE.
2. THIS KIT IS DESIGNED FOR USE WITH CLASS 1 CABLE TRAY SYSTEMS ONLY.
3. WALL BRACKET AND FASTENERS FOR ATTACHMENT TO STRUCTURE ARE SUPPLIED SEPARATELY.

MATERIAL: AS NOTED

NOTE: ALL DIMENSIONS ARE SUBJECT TO THE MANUFACTURING TOLERANCE SPECIFICATIONS IN DOCUMENT USP-QA-05-02.

ATKORE		SHEET NO.
560 WHARTON CIRCLE, SUITE E ATLANTA, GA 30336 USA		1 OF 1
PHONE: 404-696-8585 FAX: 404-696-8599		DIMENSIONS INCHES
DESCRIPTION SUPPORT HDWE. KIT, WALL BRACKET, LIGHT-DUTY		
CATALOG NUMBER	CATALOG NUMBER VARIABLES	
SKWL-A-(F*)	F*= FASTENER FINISH (Z OR S)	