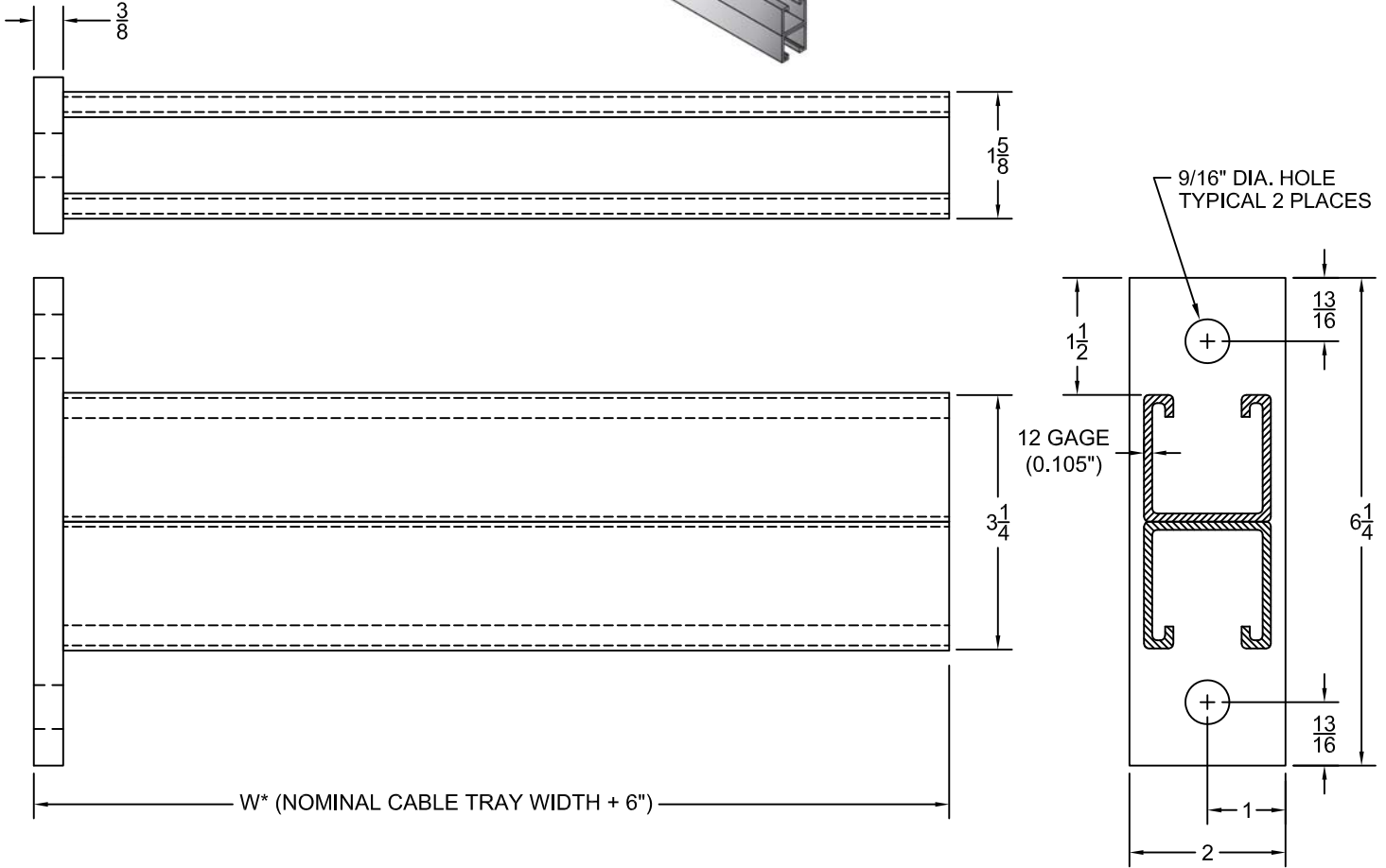




NO.	REVISION	BY	DATE	MATERIAL I.D.
0	APPROVED	TM	04-17-11	WBD



‡ MARK "√" IN BOX TO INCLUDE IN SUBMITTAL

M*	BRACKET MATERIAL & FINISH
H	STEEL, HOT-DIP GALV. AFTER FAB. / ASTM A123

BRACKET WIDTH (W*)	SAFE LOAD LBS	NOMINAL TRAY WIDTH	‡
12	12"	6"	
15	15"	9"	
18	18"	12"	
24	24"	18"	
30	30"	24"	
36	36"	30"	
42	42"	36"	

NOTES:

1. COMPLETE ASSEMBLY CONSISTS OF ONE WALL BRACKET ONLY. ALL FASTENERS ARE SUPPLIED SEPARATELY.
2. THIS BRACKET IS TYPICALLY USED FOR THE ASSEMBLY OF A CABLE TRAY SUPPORT BRACKET. SEE DRAWINGS FOR ITEM CODES SKWL AND SKWH FOR DETAILS ON CABLE TRAY WALL BRACKET SUPPORTS.

MATERIAL: AS NOTED

NOTE: ALL DIMENSIONS ARE SUBJECT TO THE MANUFACTURING TOLERANCE SPECIFICATIONS IN DOCUMENT USP-QA-05-02.

ATKORE		SHEET NO. 1 OF 1
560 WHARTON CIRCLE, SUITE E ATLANTA, GA 30336 USA		PHONE: 404-696-8585 FAX: 404-696-8599
DESCRIPTION WALL BRACKET, DOUBLE CHANNEL		
CATALOG NUMBER WBD-H-(W)*		CATALOG NUMBER VARIABLES W* = OVERALL WIDTH IN INCHES (12, 15, 18, 24, 30, 36, 42)