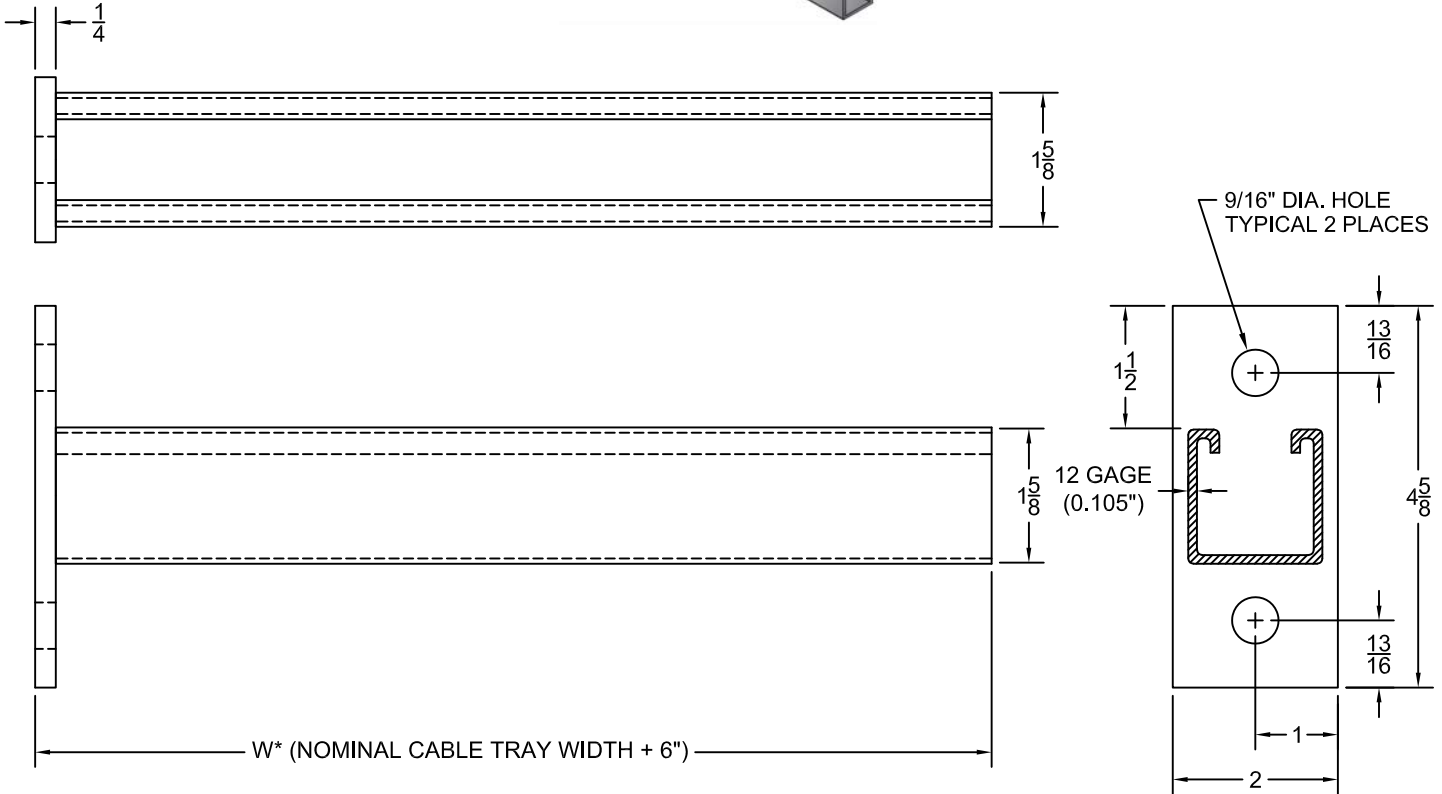




NO.	REVISION	BY	DATE	MATERIAL I.D.
0	APPROVED	TM	04-17-11	WBS



‡ MARK "√" IN BOX TO INCLUDE IN SUBMITTAL

BRACKET WIDTH (W*)	SAFE LOAD LBS	NOMINAL TRAY WIDTH	‡
12	750	6"	
15	600	9"	
18	500	12"	
24	350	18"	

M*	BRACKET MATERIAL & FINISH
H	STEEL, HOT-DIP GALV. AFTER FAB. / ASTM A123

THIS BRACKET IS NOT RECOMMENDED FOR USE WITH CABLE TRAYS WIDER THAN 18". FOR WIDER TRAYS USE BRACKETS WBD OR WBH.

NOTES:

1. COMPLETE ASSEMBLY CONSISTS OF ONE WALL BRACKET ONLY. ALL FASTENERS ARE SUPPLIED SEPARATELY.
2. THIS BRACKET IS TYPICALLY USED FOR THE ASSEMBLY OF A CABLE TRAY SUPPORT BRACKET. SEE DRAWINGS FOR ITEM CODES SKWL AND SKWH FOR DETAILS ON CABLE TRAY WALL BRACKET SUPPORTS.

MATERIAL: AS NOTED

NOTE: ALL DIMENSIONS ARE SUBJECT TO THE MANUFACTURING TOLERANCE SPECIFICATIONS IN DOCUMENT USP-QA-05-02.

ATKORE		SHEET NO.
560 WHARTON CIRCLE, SUITE E ATLANTA, GA 30336 USA		1 OF 1
PHONE: 404-696-8585 FAX: 404-696-8599		DIMENSIONS INCHES
DESCRIPTION WALL BRACKET, SINGLE CHANNEL		
CATALOG NUMBER	CATALOG NUMBER VARIABLES	
WBS-H-(W*)	W* = OVERALL WIDTH IN INCHES (12, 15, 18, 24)	