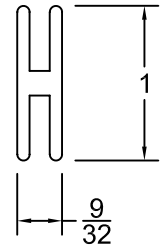
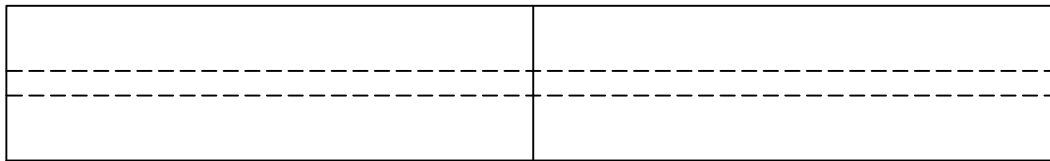
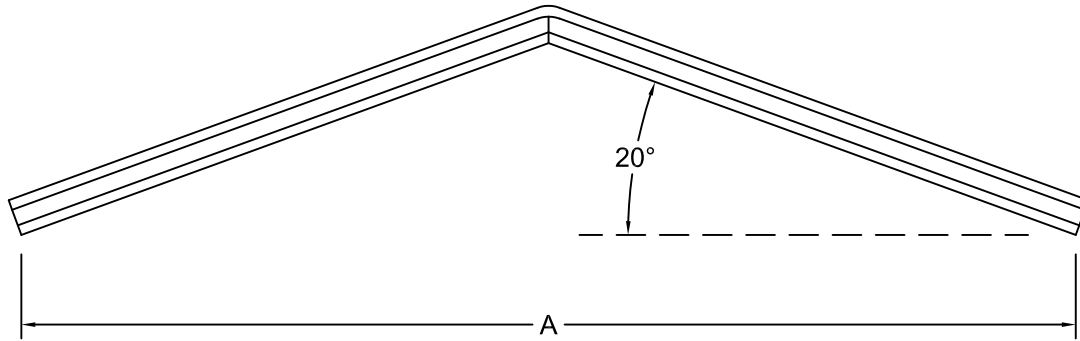
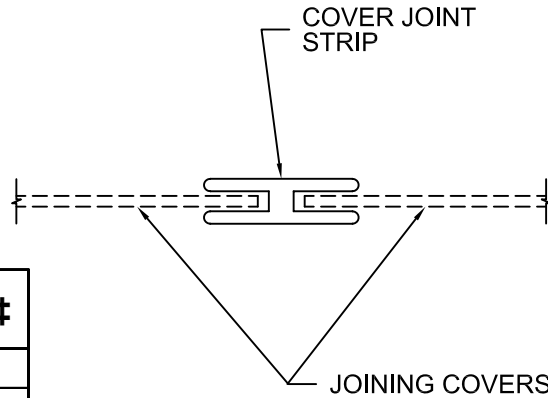




NO.	REVISION	BY	DATE	MATERIAL I.D.
0	APPROVED	TM	04-17-13	CJP
1	ADDED BLANK SIZE	WW	11-14-17	



‡ MARK "√" IN BOX TO INCLUDE IN SUBMITTAL



CATALOG NUMBER	W*	TRAY WIDTH	A	BLANK	‡
CJP-06	06	6"	7-1/2"	8	
CJP-09	09	9"	10-1/2"	11 3/16	
CJP-12	12	12"	13-1/2"	14 3/8	
CJP-18	18	18"	19-1/2"	20 3/4	
CJP-24	24	24"	25-1/2"	27 1/8	
CJP-30	30	30"	31-1/2"	33 1/2	
CJP-36	36	36"	37-1/2"	39 15/16	

**NOTES:**

1. THIS ITEM DOES NOT INCLUDE FASTENERS.
2. THIS JOINT STRIP IS SUITABLE FOR USE WITH ALL 20 DEGREE PEAKED COVERS.
3. INSTALL BETWEEN ENDS OF JOINING COVERS.

**MATERIAL:** ALLOY 6063-T6

NOTE: ALL DIMENSIONS ARE SUBJECT TO THE MANUFACTURING TOLERANCE SPECIFICATIONS IN DOCUMENT USP-QA-05-02.

<b>ATKORE</b>		SHEET NO. 1 OF 1
560 WHARTON CIRCLE, SUITE E ATLANTA, GA 30336 USA		PHONE: 404-696-8585 FAX: 404-696-8599
DESCRIPTION <b>COVER JOINT STRIP - PEAKED</b>		
CATALOG NUMBER	CATALOG NUMBER VARIABLES	
<b>CJP-(W*)</b>	W* = NOMINAL WIDTH IN INCHES (06, 09, 12, 18, 24, 30, 36)	