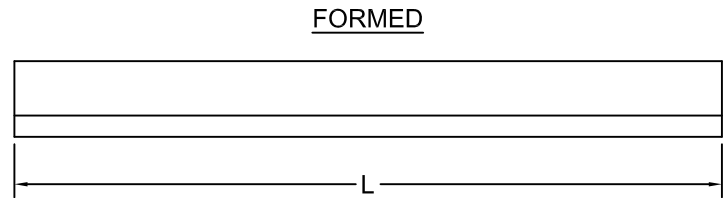
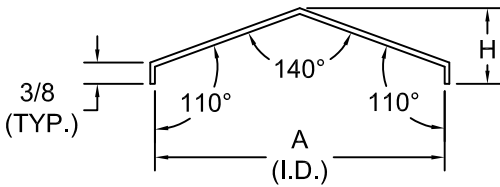
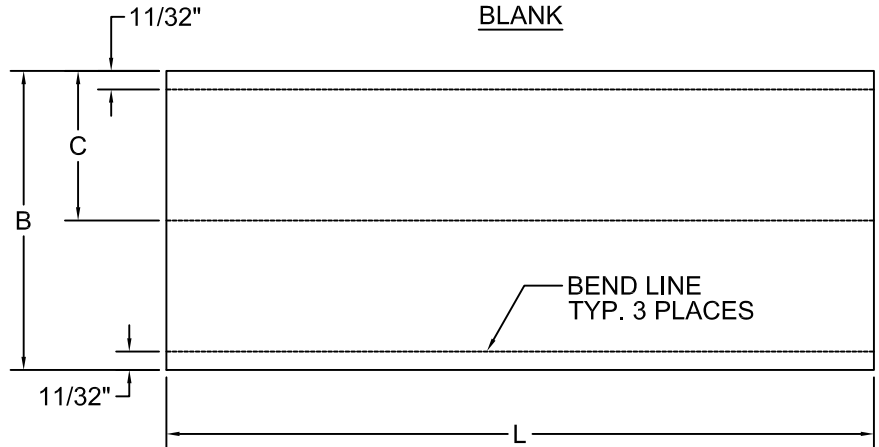
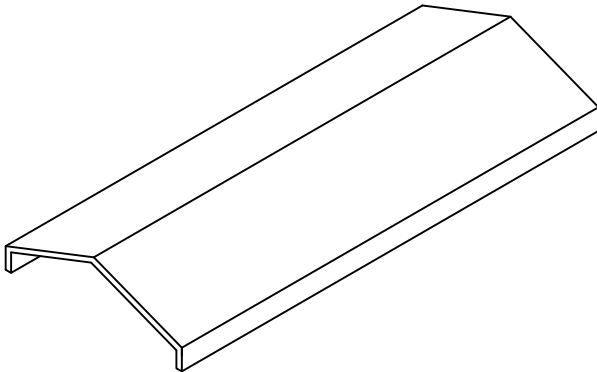




NO.	REVISION	BY	DATE	MATERIAL I.D.
0	APPROVED	TM	12-23-11	PFS
1	UPDATED CATALOG NUMBERS & FITTING COVERS TABLES	KD	03-05-18	



MARK "√" IN BOX TO INCLUDE IN SUBMITTAL

±	NOMINAL WIDTH W*	A	B	C	H	L*	COVER LENGTH
	6	7-3/4"	9"	4-1/2"	1-13/16"	6	6'-0"
	9	10-3/4"	12-1/8"	6-1/16"	2-3/8"	6	6'-0"
	12	13-3/4"	15-3/8"	7-11/16"	2-15/16"	6	6'-0"
	18	19-3/4"	21-3/4"	10-7/8"	4"	6	6'-0"
	24	25-3/4"	28-1/16"	14-1/32"	5-1/16"	6	6'-0"
	30	31-3/4"	34-1/2"	17-1/4"	6-3/16"	6	6'-0"
	36	37-3/4"	40-7/8"	20-7/16"	7-1/4"	6	6'-0"
	6	7-3/4"	9"	4-1/2"	1-13/16"	10	10'-0"
	9	10-3/4"	12-1/8"	6-1/16"	2-3/8"	10	10'-0"
	12	13-3/4"	15-3/8"	7-11/16"	2-15/16"	10	10'-0"
	18	19-3/4"	21-3/4"	10-7/8"	4"	10	10'-0"
	24	25-3/4"	28-1/16"	14-1/32"	5-1/16"	10	10'-0"
	30	31-3/4"	34-1/2"	17-1/4"	6-3/16"	10	10'-0"
	36	37-3/4"	40-7/8"	20-7/16"	7-1/4"	10	10'-0"
	6	7-3/4"	9"	4-1/2"	1-13/16"	12	12'-0"
	9	10-3/4"	12-1/8"	6-1/16"	2-3/8"	12	12'-0"
	12	13-3/4"	15-3/8"	7-11/16"	2-15/16"	12	12'-0"
	18	19-3/4"	21-3/4"	10-7/8"	4"	12	12'-0"
	24	25-3/4"	28-1/16"	14-1/32"	5-1/16"	12	12'-0"
	30	31-3/4"	34-1/2"	17-1/4"	6-3/16"	12	12'-0"
	36	37-3/4"	40-7/8"	20-7/16"	7-1/4"	12	12'-0"

FITTING COVERS: SIMILAR CONSTRUCTION AND MATERIAL; OVERALL DIMENSIONS AND SHAPES MATCH THE FITTINGS.

±	COVER THICKNESS (T*)	COVER FLANGES (F)
	0.040" (INDUSTRY STANDARD)	0.38"
	0.063"	0.38"
	0.080"	0.75"
	0.090"	0.75"
	0.125"	0.75"
	0.190"	1.00"
	0.250"	1.13"

ATKORE		SHEET NO. 1 OF 1
560 WHARTON CIRCLE, SUITE E ATLANTA, GA 30336 USA		PHONE: 404-696-8585 FAX: 404-696-8599
DIMENSIONS INCHES		
DESCRIPTION PEAKED, FLANGED, SOLID STRAIGHT COVER		
CATALOG NUMBER AC-PFS-SL(L*)-(W*)-(T*)	CATALOG NUMBER VARIABLES L* = LENGTH IN FEET (6, 10, 12) W* = TRAY WIDTH IN INCHES (06, 09, 12, 18, 24, 30, 36) T* = COVER THICKNESS	

MATERIAL: 3003 or 3105 ALUMINUM SHEET

NOTE: ALL DIMENSIONS ARE SUBJECT TO THE MANUFACTURING TOLERANCE SPECIFICATIONS IN DOCUMENT USP-QA-05-02.