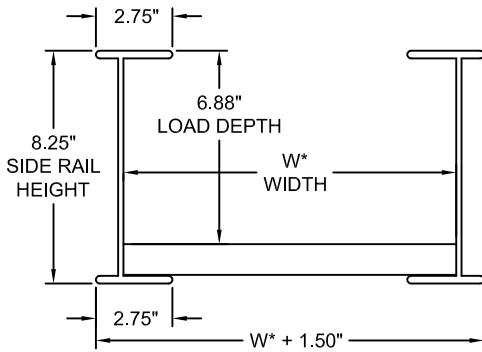
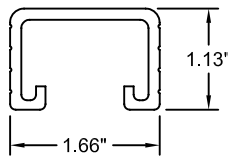
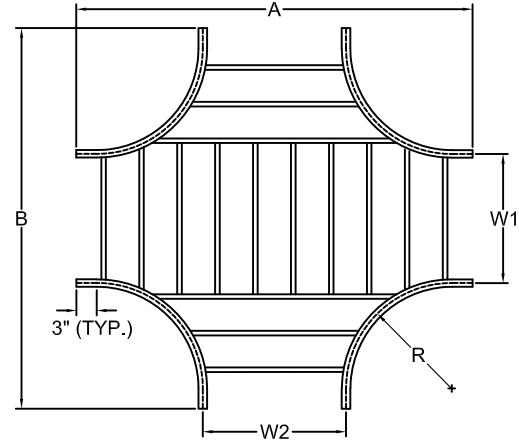




NO.	REVISION	BY	DATE	MATERIAL I.D.
0	APPROVED	TM	04-17-15	HCR12
1	UPDATED GRAPHICS & DATA TABLE	KD	09-14-17	



FITTING CROSS-SECTION



RUNG CROSS-SECTION

STRUT PROFILE ACCEPTS STANDARD CHANNEL NUTS

RUNGS IN FITTINGS ALTERNATE WITH SLOTS FACING UP AND DOWN

CATALOG NUMBERS

‡ MARK "√" IN BOX TO INCLUDE IN SUBMITTAL

MATERIAL
A ALUMINUM

EXAMPLE: A84 - 09 - HCR12 - 30 - 18 - S

SIDE RAIL HEIGHT		LOAD DEPTH	‡
NOMINAL	ACTUAL		
8	8.25"	7"	

FITTING CLASS		‡
4	2.75" FLANGES	

RUNG SPACING		‡
06	6"	
09	9"	
12	12"	
VT	5"	

FASTENER FINISH		‡
G	GEOMET PLATED STEEL	
S	TYPE 316 STAINLESS STEEL	

INCLUDED ITEMS	CATALOG NO.*	QTY.
SPLICE PLATE, HEAVY-DUTY, 8 HOLES, 6" LONG SUPPLIED IN PAIRS	SPS-A8-(G OR S)8	3 PR.
RIBBED-NECK SCREW PHILLIPS RECESS 3/8" DIA. x 3/4" LONG	F-RNS-38-34-(G OR S)	48 EA.
FLANGED HEX NUT 3/8" DIA., SERRATED FACE 9/16" SOCKET SIZE	F-FHN-38-(G OR S)	48 EA.

**SPLICE PLATES:** NECESSARY SPLICE CONNECTORS AND FASTENERS ARE AUTOMATICALLY SUPPLIED WITH ALL TRAYS. SPLICE RESISTANCE IS LESS THAN 0.00033 OHMS. FASTENER FINISHES ARE GEOMET-PLATED STEEL (G) AND TYPE 316 STAINLESS STEEL (S).



CLASSIFIED BY UNDERWRITERS LABORATORIES AS TO ITS SUITABILITY AS AN EQUIPMENT GROUNDING CONDUCTOR ONLY PER NEC 392. METAL CABLE TRAY IN ACCORDANCE WITH THE STANDARD FOR CABLE TRAY SYSTEMS CAN/CSA-C22.2 NO. 126 (UL FILE NO. E341872)

‡	ITEM CODE	RADIUS - W1 - W2	FITTING DIMENSIONS (INCHES)			
			R	W1	W2	A
	HCR12 - 18 - 12	12	18	12	48	42
	HCR12 - 24 - 12	12	24	12	54	42
	HCR12 - 24 - 18	12	24	18	54	48
	HCR12 - 30 - 12	12	30	12	60	42
	HCR12 - 30 - 18	12	30	18	60	48
	HCR12 - 30 - 24	12	30	24	60	54
	HCR12 - 36 - 12	12	36	12	66	42
	HCR12 - 36 - 18	12	36	18	66	48
	HCR12 - 36 - 24	12	36	24	66	54
	HCR12 - 36 - 30	12	36	30	66	60

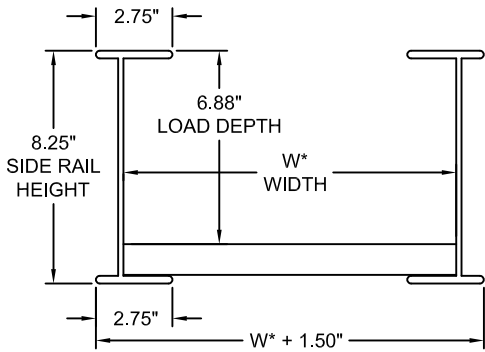
**MATERIAL:** EXTRUDED ALUMINUM ALLOY 6063  
**FINISH:** PLAIN  
**TRAY TYPE:** LADDER, TWO RAILS  
**BOTTOM:** 1.66" WIDE RUNGS (STRUT PROFILE WITH OPEN SLOT)  
**CONSTRUCTION:** ARC-WELDED ON BOTH SIDES OF RUNGS  
**FITTING CLASS:** 4 (8.25" x 2.75" I-BEAM SIDE RAILS)  
**TANGENTS:** 3" (FLAT SIDE RAIL BEYOND CURVATURE)

THIS CABLE TRAY SYSTEM IS IN FULL COMPLIANCE WITH ALL ASPECTS OF THE LATEST REVISIONS OF NEMA STANDARD VE1, CSA C22.2 NO. 126 AND THE NATIONAL ELECTRIC CODE ARTICLE 392.

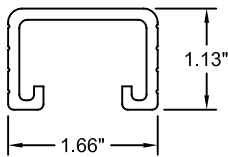
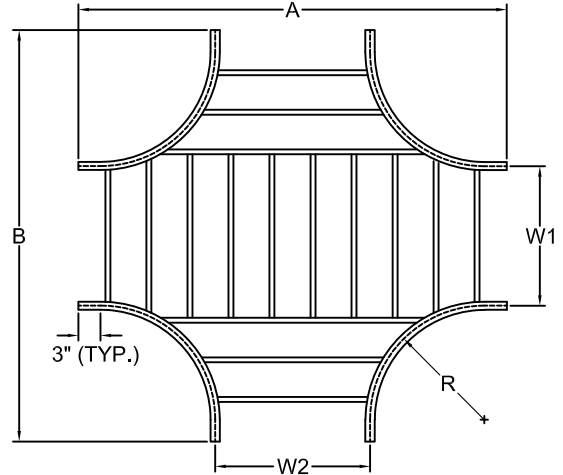
<b>ATKORE</b>		SHEET NO. 1 OF 1
560 WHARTON CIRCLE, SUITE E ATLANTA, GA 30336 USA		DIMENSIONS INCHES
PHONE: 404-696-8585 FAX: 404-696-8599		
<b>DESCRIPTION</b> HORIZ. REDUCING CROSS, 12" RADIUS, LADDER & VENT. TROUGH CABLE TRAY, 8" HIGH CLASS 4		
<b>DRAWING NUMBER</b> USP-A84-LA-HCR12		



NO.	REVISION	BY	DATE	MATERIAL I.D.
0	APPROVED	TM	04-17-15	HCR24
1	UPDATED GRAPHICS & DATA TABLE	KD	09-14-17	



FITTING CROSS-SECTION



RUNG CROSS-SECTION

STRUT PROFILE ACCEPTS STANDARD CHANNEL NUTS

RUNGS IN FITTINGS ALTERNATE WITH SLOTS FACING UP AND DOWN

CATALOG NUMBERS

‡ MARK "√" IN BOX TO INCLUDE IN SUBMITTAL

MATERIAL
A ALUMINUM

EXAMPLE: A84 - 09 - HCR24 - 36 - 12 - G

SIDE RAIL HEIGHT	LOAD DEPTH	‡
NOMINAL	ACTUAL	
8	8.25"	7"

FITTING CLASS	‡
4	2.75" FLANGES

RUNG SPACING	‡
06	6"
09	9"
12	12"
VT	5"

FASTENER FINISH	‡
G	GEOMET PLATED STEEL
S	TYPE 316 STAINLESS STEEL

INCLUDED ITEMS	CATALOG NO.*	QTY.
SPLICE PLATE, HEAVY-DUTY, 8 HOLES, 6" LONG SUPPLIED IN PAIRS	SPS-A8-(G OR S)8	3 PR.
RIBBED-NECK SCREW PHILLIPS RECESS 3/8" DIA. x 3/4" LONG	F-RNS-38-34-(G OR S)	48 EA.
FLANGED HEX NUT 3/8" DIA., SERRATED FACE 9/16" SOCKET SIZE	F-FHN-38-(G OR S)	48 EA.

**SPLICE PLATES:** NECESSARY SPLICE CONNECTORS AND FASTENERS ARE AUTOMATICALLY SUPPLIED WITH ALL TRAYS. SPLICE RESISTANCE IS LESS THAN 0.00033 OHMS. FASTENER FINISHES ARE GEOMET-PLATED STEEL (G) AND TYPE 316 STAINLESS STEEL (S).

‡	ITEM CODE	FITTING DIMENSIONS (INCHES)					
		RADIUS - W1 - W2	R	W1	W2	A	B
	HCR24 - 18 - 12		24	18	12	72	66
	HCR24 - 24 - 12		24	24	12	78	66
	HCR24 - 24 - 18		24	24	18	78	72
	HCR24 - 30 - 12		24	30	12	84	66
	HCR24 - 30 - 18		24	30	18	84	72
	HCR24 - 30 - 24		24	30	24	84	78
	HCR24 - 36 - 12		24	36	12	90	66
	HCR24 - 36 - 18		24	36	18	90	72
	HCR24 - 36 - 24		24	36	24	90	78
	HCR24 - 36 - 30		24	36	30	90	84



CLASSIFIED BY UNDERWRITERS LABORATORIES AS TO ITS SUITABILITY AS AN EQUIPMENT GROUNDING CONDUCTOR ONLY PER NEC 392. METAL CABLE TRAY IN ACCORDANCE WITH THE STANDARD FOR CABLE TRAY SYSTEMS CAN/CSA-C22.2 NO. 126 (UL FILE NO. E341872)

**MATERIAL:** EXTRUDED ALUMINUM ALLOY 6063

**FINISH:** PLAIN

**TRAY TYPE:** LADDER, TWO RAILS

**BOTTOM:** 1.66" WIDE RUNGS (STRUT PROFILE WITH OPEN SLOT)

**CONSTRUCTION:** ARC-WELDED ON BOTH SIDES OF RUNGS

**FITTING CLASS:** 4 (8.25" x 2.75" I-BEAM SIDE RAILS)

**TANGENTS:** 3" (FLAT SIDE RAIL BEYOND CURVATURE)

THIS CABLE TRAY SYSTEM IS IN FULL COMPLIANCE WITH ALL ASPECTS OF THE LATEST REVISIONS OF NEMA STANDARD VE1, CSA C22.2 NO. 126 AND THE NATIONAL ELECTRIC CODE ARTICLE 392.

**ATKORE**

560 WHARTON CIRCLE, SUITE E ATLANTA, GA 30336 USA

PHONE: 404-696-8585 FAX: 404-696-8599

SHEET NO. 1 OF 1

DIMENSIONS INCHES

DESCRIPTION

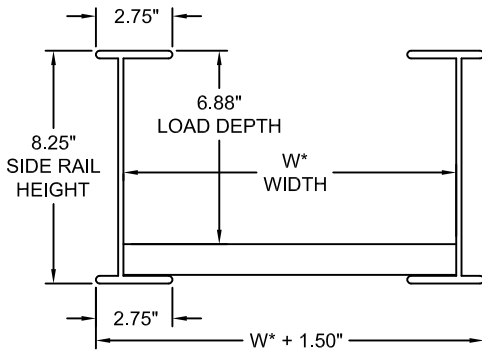
HORIZ. REDUCING CROSS, 24" RADIUS, LADDER & VENT. TROUGH CABLE TRAY, 8" HIGH CLASS 4

DRAWING NUMBER

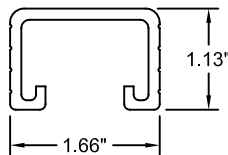
USP-A84-LA-HCR24



NO.	REVISION	BY	DATE	MATERIAL I.D.
0	APPROVED	TM	04-17-15	HCR36
1	UPDATED GRAPHICS & DATA TABLE	KD	09-14-17	



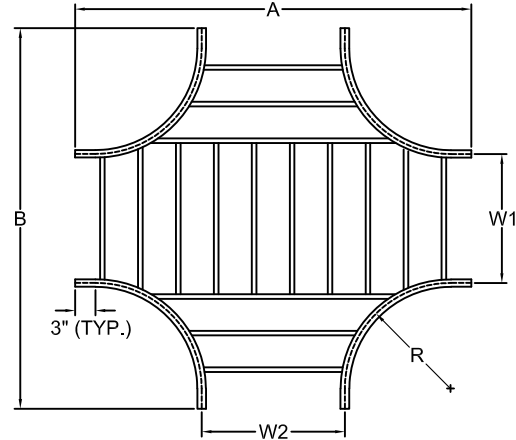
FITTING CROSS-SECTION



RUNG CROSS-SECTION

STRUT PROFILE ACCEPTS STANDARD CHANNEL NUTS

RUNGS IN FITTINGS ALTERNATE WITH SLOTS FACING UP AND DOWN



CATALOG NUMBERS

‡ MARK "✓" IN BOX TO INCLUDE IN SUBMITTAL

MATERIAL
A ALUMINUM

EXAMPLE: A84 - 09 - HCR36 - 18 - 12 - G

SIDE RAIL HEIGHT	LOAD DEPTH	‡
NOMINAL	ACTUAL	
8	8.25"	7"

FITTING CLASS	‡
4	2.75" FLANGES

RUNG SPACING	‡
06	6"
09	9"
12	12"
VT	5"

FASTENER FINISH	‡
G	GEOMET PLATED STEEL
S	TYPE 316 STAINLESS STEEL

INCLUDED ITEMS	CATALOG NO.*	QTY.
SPLICE PLATE, HEAVY-DUTY, 8 HOLES, 6" LONG SUPPLIED IN PAIRS	SPS-A8-(G OR S)8	3 PR.
RIBBED-NECK SCREW PHILLIPS RECESS 3/8" DIA. x 3/4" LONG	F-RNS-38-34-(G OR S)	48 EA.
FLANGED HEX NUT 3/8" DIA., SERRATED FACE 9/16" SOCKET SIZE	F-FHN-38-(G OR S)	48 EA.

**SPLICE PLATES:** NECESSARY SPLICE CONNECTORS AND FASTENERS ARE AUTOMATICALLY SUPPLIED WITH ALL TRAYS. SPLICE RESISTANCE IS LESS THAN 0.00033 OHMS. FASTENER FINISHES ARE GEOMET-PLATED STEEL (G) AND TYPE 316 STAINLESS STEEL (S).



CLASSIFIED BY UNDERWRITERS LABORATORIES AS TO ITS SUITABILITY AS AN EQUIPMENT GROUNDING CONDUCTOR ONLY PER NEC 392. METAL CABLE TRAY IN ACCORDANCE WITH THE STANDARD FOR CABLE TRAY SYSTEMS CAN/CSA-C22.2 NO. 126 (UL FILE NO. E341872)

**MATERIAL:** EXTRUDED ALUMINUM ALLOY 6063

**FINISH:** PLAIN

**TRAY TYPE:** LADDER, TWO RAILS

**BOTTOM:** 1.66" WIDE RUNGS (STRUT PROFILE WITH OPEN SLOT)

**CONSTRUCTION:** ARC-WELDED ON BOTH SIDES OF RUNGS

**FITTING CLASS:** 4 (8.25" x 2.75" I-BEAM SIDE RAILS)

**TANGENTS:** 3" (FLAT SIDE RAIL BEYOND CURVATURE)

THIS CABLE TRAY SYSTEM IS IN FULL COMPLIANCE WITH ALL ASPECTS OF THE LATEST REVISIONS OF NEMA STANDARD VE1, CSA C22.2 NO. 126 AND THE NATIONAL ELECTRIC CODE ARTICLE 392.

‡	ITEM CODE	RADIUS - W1 - W2	FITTING DIMENSIONS (INCHES)			
			R	W1	W2	A
	HCR36 - 18 - 12	36	18	12	96	90
	HCR36 - 24 - 12	36	24	12	102	90
	HCR36 - 24 - 18	36	24	18	102	96
	HCR36 - 30 - 12	36	30	12	108	90
	HCR36 - 30 - 18	36	30	18	108	96
	HCR36 - 30 - 24	36	30	24	108	102
	HCR36 - 36 - 12	36	36	12	114	90
	HCR36 - 36 - 18	36	36	18	114	96
	HCR36 - 36 - 24	36	36	24	114	102
	HCR36 - 36 - 30	36	36	30	114	108

**ATKORE**

560 WHARTON CIRCLE, SUITE E ATLANTA, GA 30336 USA

PHONE: 404-696-8585 FAX: 404-696-8599

SHEET NO. 1 OF 1

DIMENSIONS INCHES

DESCRIPTION

HORIZ. REDUCING CROSS, 36" RADIUS, LADDER & VENT. TROUGH CABLE TRAY, 8" HIGH CLASS 4

DRAWING NUMBER

USP-A84-LA-HCR36