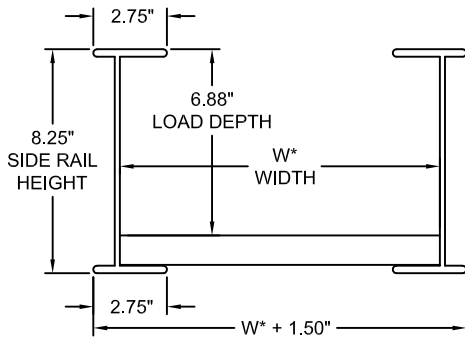
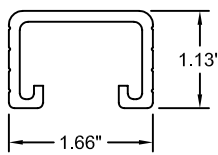
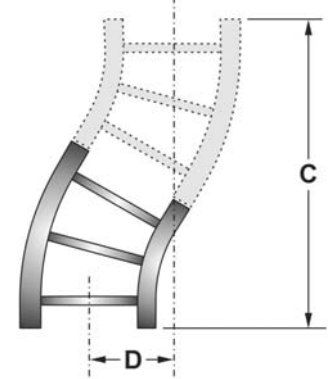
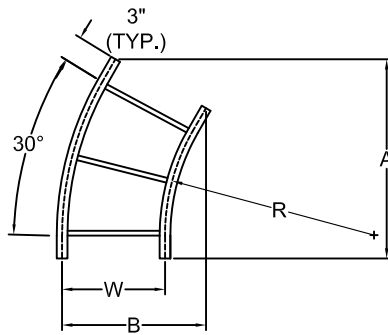




NO.	REVISION	BY	DATE	MATERIAL I.D.
0	APPROVED	TM	04-17-15	30H
1	UPDATED GRAPHICS & DATA TABLE	KD	09-14-17	



FITTING CROSS-SECTION



RUNG CROSS-SECTION

STRUT PROFILE ACCEPTS STANDARD CHANNEL NUTS

RUNGS IN FITTINGS ALTERNATE WITH SLOTS FACING UP AND DOWN

CATALOG NUMBERS

‡ MARK "√" IN BOX TO INCLUDE IN SUBMITTAL

EXAMPLE: **A84 - 09 - 30H24 - 18 - S**

MATERIAL		SIDE RAIL HEIGHT		LOAD DEPTH	FITTING CLASS	RUNG SPACING		FASTENER FINISH	
A	ALUMINUM	NOMINAL	ACTUAL	‡	‡	‡	‡	‡	‡
		8	8.25"	7"	4	06	6"	G	GEOMET PLATED STEEL
						09	9"		
						12	12"		
						VT	5"	S	TYPE 316 STAINLESS STEEL

	INCLUDED ITEMS	CATALOG NO.*	QTY.
	SPLICE PLATE, HEAVY-DUTY, 8 HOLES, 6" LONG SUPPLIED IN PAIRS	SPS-A8-(G OR S)8	1 PR.
	RIBBED-NECK SCREW PHILLIPS RECESS 3/8" DIA. x 3/4" LONG	F-RNS-38-34-(G OR S)	16 EA.
	FLANGED HEX NUT 3/8" DIA., SERRATED FACE 9/16" SOCKET SIZE	F-FHN-38-(G OR S)	16 EA.

**SPLICE PLATES:** NECESSARY SPLICE CONNECTORS AND FASTENERS ARE AUTOMATICALLY SUPPLIED WITH ALL TRAYS. SPLICE RESISTANCE IS LESS THAN 0.00033 OHMS. FASTENER FINISHES ARE GEOMET-PLATED STEEL (G) AND TYPE 316 STAINLESS STEEL (S).

**CLASSIFIED**  
  
 CLASSIFIED BY UNDERWRITERS LABORATORIES AS TO ITS SUITABILITY AS AN EQUIPMENT GROUNDING CONDUCTOR ONLY PER NEC 392. METAL CABLE TRAY IN ACCORDANCE WITH THE STANDARD FOR CABLE TRAY SYSTEMS CAN/CSA-C22.2 NO. 126 (UL FILE NO. E341872)

**MATERIAL:** EXTRUDED ALUMINUM ALLOY 6063  
**FINISH:** PLAIN  
**TRAY TYPE:** LADDER, TWO RAILS  
**BOTTOM:** 1.66" WIDE RUNGS (STRUT PROFILE WITH OPEN SLOT)  
**CONSTRUCTION:** ARC-WELDED ON BOTH SIDES OF RUNGS  
**FITTING CLASS:** 4 (8.25" x 2.75" I-BEAM SIDE RAILS)  
**TANGENTS:** 3" (FLAT SIDE RAIL BEYOND CURVATURE)

THIS CABLE TRAY SYSTEM IS IN FULL COMPLIANCE WITH ALL ASPECTS OF THE LATEST REVISIONS OF NEMA STANDARD VE1, CSA C22.2 NO. 126 AND THE NATIONAL ELECTRIC CODE ARTICLE 392.

‡	ITEM CODE	FITTING DIMENSIONS (INCHES)					
		RADIUS	-WIDTH	R	W	A	B
	30H12 - 12	12	12	17-5/8	15-1/8	29-1/4	7-7/8
	30H12 - 18	12	18	20-5/8	21-1/8	32-1/4	8-5/8
	30H12 - 24	12	24	23-5/8	27-1/8	35-1/4	9-3/8
	30H12 - 30	12	30	26-5/8	33-1/8	38-1/4	10-1/4
	30H12 - 36	12	36	29-5/8	39-1/8	41-1/4	11
	30H24 - 12	24	12	23-5/8	16-3/4	41-1/4	11
	30H24 - 18	24	18	26-5/8	22-3/4	44-1/4	11-7/8
	30H24 - 24	24	24	29-5/8	28-3/4	47-1/4	12-5/8
	30H24 - 30	24	30	32-5/8	34-3/4	50-1/4	13-1/2
	30H24 - 36	24	36	35-5/8	40-3/4	53-1/4	14-1/4
	30H36 - 12	36	12	29-5/8	18-3/8	53-1/4	14-1/4
	30H36 - 18	36	18	32-5/8	24-3/8	56-1/4	15
	30H36 - 24	36	24	35-5/8	30-3/8	59-1/4	15-7/8
	30H36 - 30	36	30	38-5/8	36-3/8	62-1/4	16-5/8
	30H36 - 36	36	36	41-5/8	42-3/8	65-1/4	17-1/2

<b>ATKORE</b>		SHEET NO. 1 OF 1
560 WHARTON CIRCLE, SUITE E ATLANTA, GA 30336 USA		PHONE: 404-696-8585 FAX: 404-696-8599
DESCRIPTION 30° HORIZ. ELBOW FITTING, LADDER & VENT. TROUGH CABLE TRAY, 8" HIGH CLASS 4		DIMENSIONS INCHES
DRAWING NUMBER USP-A84-LA-30H		