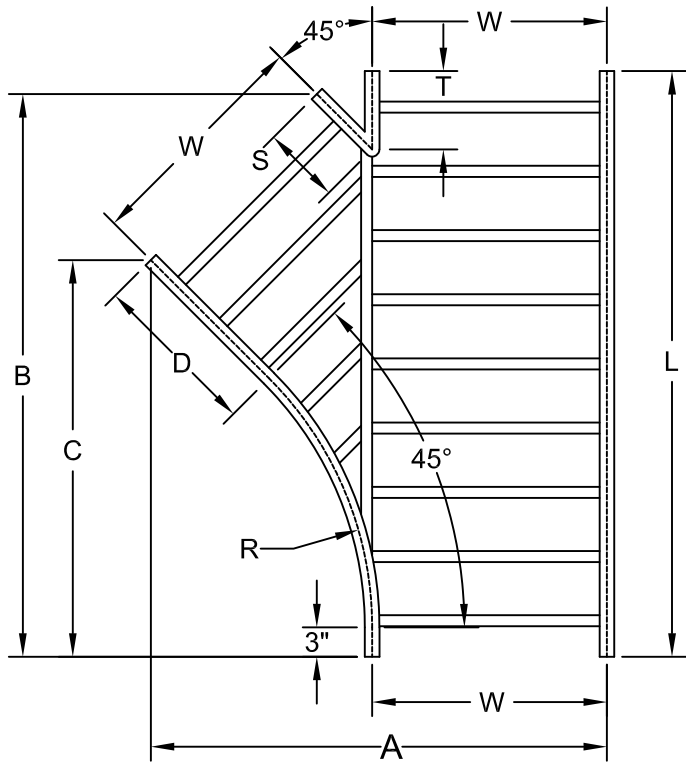


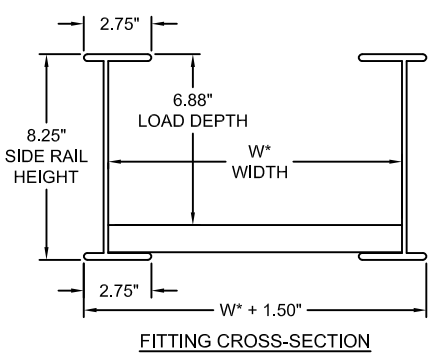


NO.	REVISION	BY	DATE
0	APPROVED	KD	10-04-17

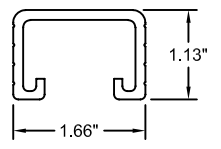
MATERIAL I.D.
HYL



TRAY TOP VIEW



FITTING CROSS-SECTION



RUNG CROSS-SECTION
STRUT PROFILE ACCEPTS
STANDARD CHANNEL NUTS

RUNGS IN FITTINGS ALTERNATE
WITH SLOTS FACING UP AND DOWN

DIMENSIONS ARE TO THE WEBS OF THE SIDE RAILS, SIMILAR TO W* SHOWN IN THE TRAY CROSS-SECTION. THE SIDE RAIL FLANGES EXTEND OUT 3/4" ON THE SIDES OF THE FITTING.

MATERIAL ALUMINUM **CATALOG NUMBERS** EXAMPLE: **A84 - 09 - HYL24 - 18 - S** ‡ MARK "√" IN BOX TO INCLUDE IN SUBMITTAL

SIDE RAIL HEIGHT	LOAD DEPTH	‡	FITTING CLASS	‡	RUNG SPACING	‡	FASTENER FINISH	‡
NOMINAL	ACTUAL							
8	8.25"	7"	4	2.75" FLANGES	06 6"		G	GEOMET PLATED STEEL
					09 9"		S	TYPE 316 STAINLESS STEEL
					12 12"			
					VT 5"			

INCLUDED ITEMS	CATALOG NO.*	QTY.
SPLICE PLATE, HEAVY-DUTY, 8 HOLES, 6" LONG SUPPLIED IN PAIRS	SPS-A8-(G OR S)8	2 PR.
RIBBED-NECK SCREW PHILLIPS RECESS 3/8" DIA. x 3/4" LONG	F-RNS-38-34-(G OR S)	32 EA.
FLANGED HEX NUT 3/8" DIA., SERRATED FACE 9/16" SOCKET SIZE	F-FHN-38-(G OR S)	32 EA.

SPLICE PLATES: NECESSARY SPLICE CONNECTORS AND FASTENERS ARE AUTOMATICALLY SUPPLIED WITH ALL TRAYS. SPLICE RESISTANCE IS LESS THAN 0.00033 OHMS. FASTENER FINISHES ARE GEOMET-PLATED STEEL (G) AND TYPE 316 STAINLESS STEEL (S).



CLASSIFIED BY UNDERWRITERS LABORATORIES AS TO IT'S SUITABILITY AS AN EQUIPMENT GROUNDING CONDUCTOR ONLY PER NEC 392. METAL CABLE TRAY IN ACCORDANCE WITH THE STANDARD FOR CABLE TRAY SYSTEMS CAN/CSA-C22.2 NO. 126 (UL FILE NO. E341872)

MATERIAL: EXTRUDED ALUMINUM ALLOY 6063

FINISH: PLAIN

TRAY TYPE: LADDER, TWO RAILS

BOTTOM: 1.66" WIDE RUNGS (STRUT PROFILE WITH OPEN SLOT)

CONSTRUCTION: ARC-WELDED ON BOTH SIDES OF RUNGS

FITTING CLASS: 4 (8.25" x 2.75" I-BEAM SIDE RAILS)

TANGENTS: 3" (FLAT SIDE RAIL BEYOND CURVATURE)

THIS CABLE TRAY SYSTEM IS IN FULL COMPLIANCE WITH ALL ASPECTS OF THE LATEST REVISIONS OF NEMA STANDARD VE1, CSA C22.2 NO. 126 AND THE NATIONAL ELECTRIC CODE ARTICLE 392.

‡	ITEM CODE	RADIUS - WIDTH	FITTING DIMENSIONS (INCHES)					
			R	W	A	B	C	D
	HYL12 - 12	12	12	26-5/32	30-19/32	22-1/8	15-1/32	
	HYL12 - 18	12	18	36-13/32	39-3/32	26-3/8	21-1/32	
	HYL12 - 24	12	24	46-5/8	47-9/16	30-5/8	27-1/32	
	HYL12 - 30	12	30	56-7/8	56-1/16	34-27/32	33-1/32	
	HYL12 - 36	12	36	67-1/8	64-17/32	39-3/32	39-1/32	
	HYL24 - 12	24	12	26-5/32	35-9/16	27-1/16	10-1/16	
	HYL24 - 18	24	18	36-3/8	44-1/16	31-11/32	16-1/16	
	HYL24 - 24	24	24	46-5/8	52-17/32	35-9/16	22-1/16	
	HYL24 - 30	24	30	56-7/8	61-1/32	39-13/16	28-1/16	
	HYL24 - 36	24	36	67-1/8	69-1/2	44-1/16	34-1/16	
	HYL36 - 12	36	12	26-1/8	40-17/32	32-1/16	5-3/32	
	HYL36 - 18	36	18	36-3/8	49-1/32	36-5/16	11-3/32	
	HYL36 - 24	36	24	46-5/8	57-1/2	40-17/32	17-3/32	
	HYL36 - 30	36	30	56-7/8	66	44-25/32	23-3/32	
	HYL36 - 36	36	36	67-1/8	74-15/32	49-1/32	29-3/32	

ATKORE

560 WHARTON CIRCLE, SUITE E PHONE: 404-696-8585
ATLANTA, GA 30336 USA FAX: 404-696-8599

SHEET NO.
1 OF 1

DIMENSIONS
INCHES

DESCRIPTION
HORIZONTAL WYE FITTING, LEFT, LADDER & VENT. TROUGH CABLE TRAY, CLASS 4

DRAWING NUMBER
USP-HYL-LA-4