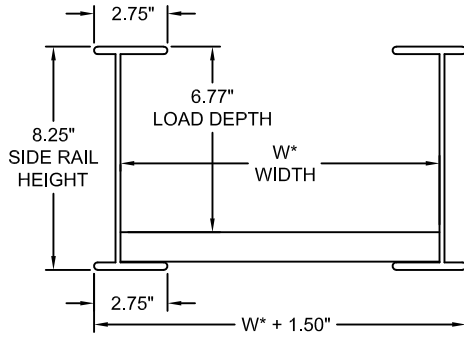
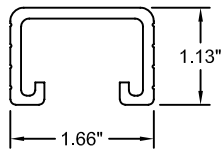
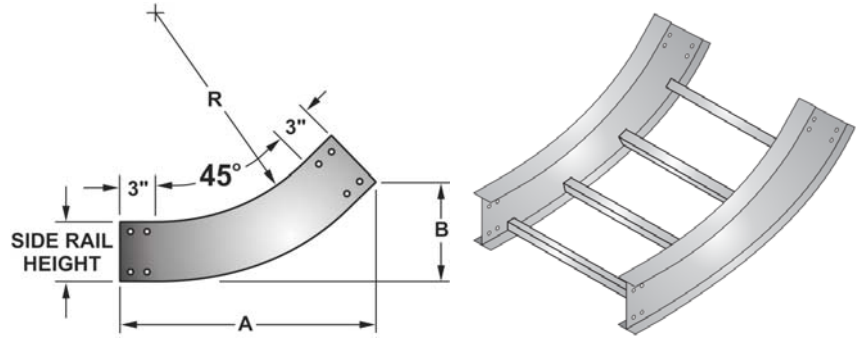




NO.	REVISION	BY	DATE	MATERIAL I.D.
0	APPROVED	TM	04-17-15	45VI
1	UPDATED GRAPHICS & DATA TABLE	KD	09-14-17	



FITTING CROSS-SECTION



RUNG CROSS-SECTION

STRUT PROFILE ACCEPTS STANDARD CHANNEL NUTS

RUNGS IN FITTINGS ALTERNATE WITH SLOTS FACING UP AND DOWN

‡ MARK "√" IN BOX TO INCLUDE IN SUBMITTAL

MATERIAL		EXAMPLE: A84 - 09 - 45VI24 - 12 - G				FASTENER FINISH ‡			
NOMINAL	ACTUAL	LOAD DEPTH	‡	FITTING CLASS ‡	RUNG SPACING ‡		‡		
A	ALUMINUM	8	8.25"	7"	4	2.75" FLANGES	06 6"	G	GEOMET PLATED STEEL
							09 9"	S	TYPE 316 STAINLESS STEEL
							12 12"		
							VT 5"		

INCLUDED ITEMS	CATALOG NO.*	QTY.
SPLICE PLATE, HEAVY-DUTY, 8 HOLES, 6" LONG SUPPLIED IN PAIRS	SPS-A8-(G OR S)8	1 PR.
RIBBED-NECK SCREW PHILLIPS RECESS 3/8" DIA. x 3/4" LONG	F-RNS-38-34-(G OR S)	16 EA.
FLANGED HEX NUT 3/8" DIA., SERRATED FACE 9/16" SOCKET SIZE	F-FHN-38-(G OR S)	16 EA.

**SPLICE PLATES:** NECESSARY SPLICE CONNECTORS AND FASTENERS ARE AUTOMATICALLY SUPPLIED WITH ALL TRAYS. SPLICE RESISTANCE IS LESS THAN 0.00033 OHMS. FASTENER FINISHES ARE GEOMET-PLATED STEEL (G) AND TYPE 316 STAINLESS STEEL (S).



CLASSIFIED BY UNDERWRITERS LABORATORIES AS TO ITS SUITABILITY AS AN EQUIPMENT GROUNDING CONDUCTOR ONLY PER NEC 392. METAL CABLE TRAY IN ACCORDANCE WITH THE STANDARD FOR CABLE TRAY SYSTEMS CAN/CSA-C22.2 NO. 126 (UL FILE NO. E341872)

**MATERIAL:** EXTRUDED ALUMINUM ALLOY 6063

**FINISH:** PLAIN

**TRAY TYPE:** LADDER, TWO RAILS

**BOTTOM:** 1.66" WIDE RUNGS (STRUT PROFILE WITH OPEN SLOT)

**CONSTRUCTION:** ARC-WELDED ON BOTH SIDES OF RUNGS

**FITTING CLASS:** 4 (8.25" x 2.75" I-BEAM SIDE RAILS)

**TANGENTS:** 3" (FLAT SIDE RAIL BEYOND CURVATURE)

THIS CABLE TRAY SYSTEM IS IN FULL COMPLIANCE WITH ALL ASPECTS OF THE LATEST REVISIONS OF NEMA STANDARD VE1, CSA C22.2 NO. 126 AND THE NATIONAL ELECTRIC CODE ARTICLE 392.

‡	ITEM CODE RADIUS - WIDTH	FITTING DIMENSIONS (INCHES)			
		R	W	H* = 8"	
				A	B
45VI12 - 12	12	12	19 1/2	8	
45VI12 - 18	12	18	19 1/2	8	
45VI12 - 24	12	24	19 1/2	8	
45VI12 - 30	12	30	19 1/2	8	
45VI12 - 36	12	36	19 1/2	8	
45VI24 - 12	24	12	27 7/8	11 1/2	
45VI24 - 18	24	18	27 7/8	11 1/2	
45VI24 - 24	24	24	27 7/8	11 1/2	
45VI24 - 30	24	30	27 7/8	11 1/2	
45VI24 - 36	24	36	27 7/8	11 1/2	
45VI36 - 12	36	12	36 3/8	15	
45VI36 - 18	36	18	36 3/8	15	
45VI36 - 24	36	24	36 3/8	15	
45VI36 - 30	36	30	36 3/8	15	
45VI36 - 36	36	36	36 3/8	15	

**ATKORE**

560 WHARTON CIRCLE, SUITE E PHONE: 404-696-8585  
ATLANTA, GA 30336 USA FAX: 404-696-8599

SHEET NO.  
1 OF 1

DIMENSIONS  
INCHES

**DESCRIPTION**

45° VERT. INSIDE ELBOW, LADDER & VENT. TROUGH CABLE TRAY, 8" HIGH CLASS 4

**DRAWING NUMBER**

USP-A84-LA-45VI