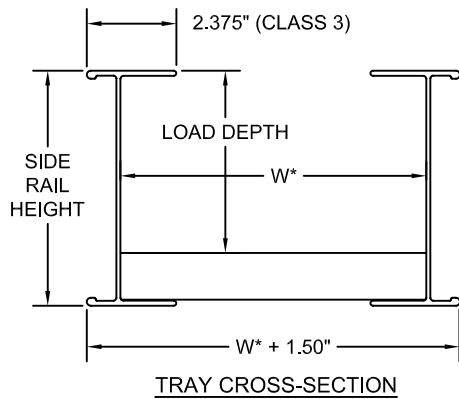
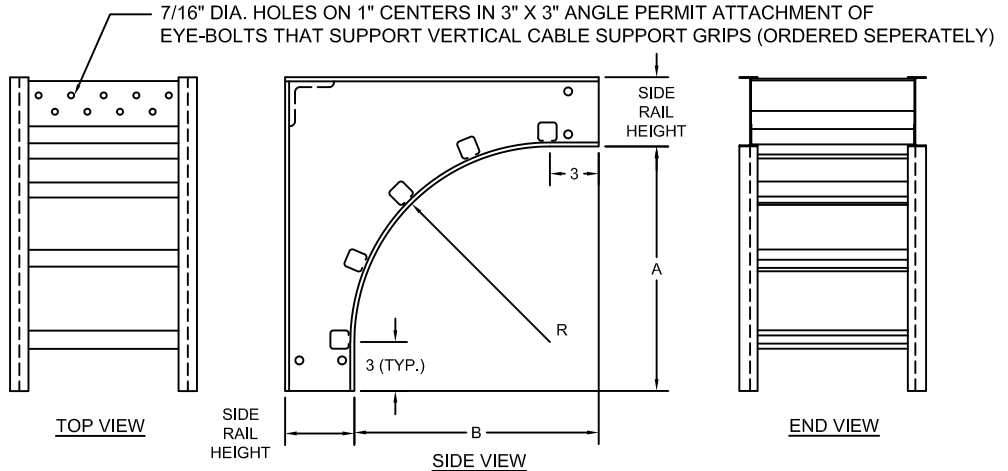




NO.	REVISION	BY	DATE	MATERIAL I.D.
0	APPROVED	TM	09-21-17	CSE



**CATALOG NUMBERS** ‡ MARK "√" IN BOX TO INCLUDE IN SUBMITTAL

**MATERIAL**  
 ALUMINUM

**EXAMPLE:** A73 - 09 - CSE24 - 36 - G

SIDE RAIL HEIGHT	LOAD DEPTH ‡	FITTING CLASS ‡	RUNG SPACING ‡	FASTENER FINISH ‡
NOMINAL	ACTUAL			
6	6.25"	3	06 6"	G
7	7.25"		09 9"	
			12 12"	S
			VT 5"	

Labels: MATERIAL, ALUMINUM, EXAMPLE, A73 - 09 - CSE24 - 36 - G, SIDE RAIL HEIGHT, LOAD DEPTH, FITTING CLASS, RUNG SPACING, FASTENER FINISH.

INCLUDED ITEMS	CATALOG NO.*	QTY.
SPLICE PLATE, STANDARD 8 HOLES, 5-1/4" L SUPPLIED IN PAIRS	SPS-A(H*)-(G OR S)8	1 PR.
RIBBED-NECK SCREW PHILLIPS RECESS 3/8" DIA. x 3/4" LONG	F-RNS-38-34-(G OR S)	16 EA.
FLANGED HEX NUT 3/8" DIA., SERRATED FACE 9/16" SOCKET SIZE	F-FHN-38-(G OR S)	16 EA.

(H\*) = NOMINAL SIDE RAIL HEIGHT (6 OR 7)

**SPLICE PLATES:** NECESSARY SPLICE CONNECTORS AND FASTENERS ARE AUTOMATICALLY SUPPLIED WITH ALL TRAYS. SPLICE RESISTANCE IS LESS THAN 0.00033 OHMS. FASTENER FINISHES ARE GEOMET-PLATED STEEL (G) AND TYPE 316 STAINLESS STEEL (S).



CLASSIFIED BY UNDERWRITERS LABORATORIES AS TO ITS SUITABILITY AS AN EQUIPMENT GROUNDING CONDUCTOR ONLY PER NEC 392. METAL CABLE TRAY IN ACCORDANCE WITH THE STANDARD FOR CABLE TRAY SYSTEMS CAN/CSA-C22.2 NO. 126 (UL FILE NO. E341872)

**MATERIAL:** ALUMINUM ALLOYS 6063 AND 5052

**FINISH:** PLAIN

**TRAY TYPE:** LADDER, TWO RAILS

**BOTTOM:** 1.13" WIDE RUNGS (TUBULAR WITH OPEN SLOT)

**CONSTRUCTION:** ARC-WELDED ON BOTH SIDES OF RUNGS

**FITTING CLASS:** 3 (2.375" FLANGES)

**TANGENTS:** 3" (FLAT SIDE RAIL BEYOND CURVATURE)

THIS CABLE TRAY SYSTEM IS IN FULL COMPLIANCE WITH ALL ASPECTS OF THE LATEST REVISIONS OF NEMA STANDARD VE1, CSA C22.2 NO. 126 AND THE NATIONAL ELECTRIC CODE ARTICLE 392.

‡	ITEM CODE	FITTING DIMENSIONS (INCHES)			
		RADIUS - WIDTH	R	W	A
	CSE12 - 06	12	6	15	15
	CSE12 - 09	12	9	15	15
	CSE12 - 12	12	12	15	15
	CSE12 - 18	12	18	15	15
	CSE12 - 24	12	24	15	15
	CSE12 - 30	12	30	15	15
	CSE12 - 36	12	36	15	15
	CSE24 - 06	24	6	27	27
	CSE24 - 09	24	9	27	27
	CSE24 - 12	24	12	27	27
	CSE24 - 18	24	18	27	27
	CSE24 - 24	24	24	27	27
	CSE24 - 30	24	30	27	27
	CSE24 - 36	24	36	27	27
	CSE36 - 06	36	6	27	27
	CSE36 - 09	36	9	39	39
	CSE36 - 12	36	12	39	39
	CSE36 - 18	36	18	39	39
	CSE36 - 24	36	24	39	39
	CSE36 - 30	36	30	39	39
	CSE36 - 36	36	36	39	39

**ATKORE**

560 WHARTON CIRCLE, SUITE E PHONE: 404-696-8585  
 ATLANTA, GA 30336 USA FAX: 404-696-8599

SHEET NO. 1 OF 1

DIMENSIONS INCHES

**DESCRIPTION**

90° VERT. CABLE SUPPORT ELBOW, LADDER & VENT. TROUGH CABLE TRAY, CLASS 3

**DRAWING NUMBER**

USP-CSE-LA-3