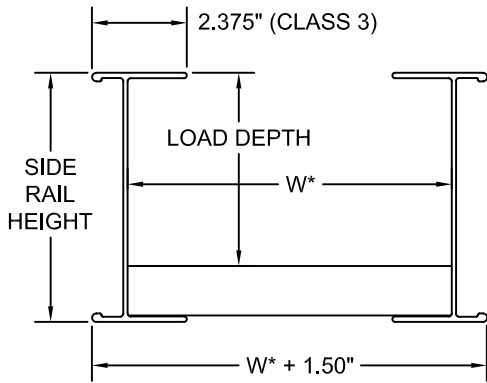
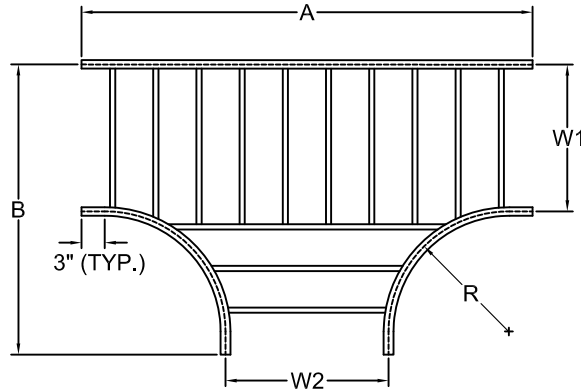




| NO. | REVISION | BY | DATE | MATERIAL I.D. |
|-----|----------|----|----------|---------------|
| 0 | APPROVED | TM | 09-12-17 | HTE |
| | | | | |
| | | | | |



TRAY CROSS-SECTION

CATALOG NUMBERS ‡ MARK "√" IN BOX TO INCLUDE IN SUBMITTAL

EXAMPLE: **A73 - 09 - HTE12 - 18 - 30 - S**

| MATERIAL | | LOAD DEPTH ‡ | | FITTING CLASS ‡ | | RUNG SPACING ‡ | | FASTENER FINISH ‡ | |
|----------|----------|--------------|--------|-----------------|---------|----------------|-----|-------------------|--------------------------|
| NOMINAL | ACTUAL | NOMINAL | ACTUAL | CLASS | FLANGES | 06 | 6" | G | GEOMET PLATED STEEL |
| A | ALUMINUM | 6 | 6.25" | 3 | 2.375" | 09 | 9" | S | TYPE 316 STAINLESS STEEL |
| | | 7 | 7.25" | | | 12 | 12" | | |
| | | | | | | VT | 5" | | |

| INCLUDED ITEMS | CATALOG NO.* | QTY. |
|--|----------------------|--------|
| SPLICE PLATE, STANDARD 8 HOLES, 5-1/4" L SUPPLIED IN PAIRS | SPS-A(H*)-(G OR S)8 | 2 PR. |
| RIBBED-NECK SCREW PHILLIPS RECESS 3/8" DIA. x 3/4" LONG | F-RNS-38-34-(G OR S) | 32 EA. |
| FLANGED HEX NUT 3/8" DIA., SERRATED FACE 9/16" SOCKET SIZE | F-FHN-38-(G OR S) | 32 EA. |

(H*) = NOMINAL SIDE RAIL HEIGHT (6 OR 7)

SPLICE PLATES: NECESSARY SPLICE CONNECTORS AND FASTENERS ARE AUTOMATICALLY SUPPLIED WITH ALL TRAYS. SPLICE RESISTANCE IS LESS THAN 0.00033 OHMS. FASTENER FINISHES ARE GEOMET-PLATED STEEL (G) AND TYPE 316 STAINLESS STEEL (S).

CLASSIFIED
UL **US**
 CLASSIFIED BY UNDERWRITERS LABORATORIES AS TO ITS SUITABILITY AS AN EQUIPMENT GROUNDING CONDUCTOR ONLY PER NEC 392. METAL CABLE TRAY IN ACCORDANCE WITH THE STANDARD FOR CABLE TRAY SYSTEMS CAN/CSA-C22.2 NO. 126 (UL FILE NO. E341872)

MATERIAL: EXTRUDED ALUMINUM ALLOY 6063

FINISH: PLAIN

TRAY TYPE: LADDER, TWO RAILS

BOTTOM: 1.13" WIDE RUNGS (TUBULAR WITH OPEN SLOT)

CONSTRUCTION: ARC-WELDED ON BOTH SIDES OF RUNGS

FITTING CLASS: 3 (2.375" FLANGES)

TANGENTS: 3" (FLAT SIDE RAIL BEYOND CURVATURE)

THIS CABLE TRAY SYSTEM IS IN FULL COMPLIANCE WITH ALL ASPECTS OF THE LATEST REVISIONS OF NEMA STANDARD VE1, CSA C22.2 NO. 126 AND THE NATIONAL ELECTRIC CODE ARTICLE 392.

| ‡ | ITEM CODE | FITTING DIMENSIONS (INCHES) | | | | | |
|---|------------------|-----------------------------|----|----|----|----|----|
| | | RADIUS - W1 - W2 | R | W1 | W2 | A | B |
| | HTE 12 - 06 - 09 | | 12 | 6 | 9 | 39 | 21 |
| | HTE 12 - 06 - 12 | | 12 | 6 | 12 | 42 | 21 |
| | HTE 12 - 06 - 18 | | 12 | 6 | 18 | 48 | 21 |
| | HTE 12 - 06 - 24 | | 12 | 6 | 24 | 54 | 21 |
| | HTE 12 - 06 - 30 | | 12 | 6 | 30 | 60 | 21 |
| | HTE 12 - 06 - 36 | | 12 | 6 | 36 | 66 | 21 |
| | HTE 12 - 09 - 12 | | 12 | 9 | 12 | 42 | 24 |
| | HTE 12 - 09 - 18 | | 12 | 9 | 18 | 48 | 24 |
| | HTE 12 - 09 - 24 | | 12 | 9 | 24 | 54 | 24 |
| | HTE 12 - 09 - 30 | | 12 | 9 | 30 | 60 | 24 |
| | HTE 12 - 09 - 36 | | 12 | 9 | 36 | 66 | 24 |
| | HTE 12 - 12 - 18 | | 12 | 12 | 18 | 48 | 27 |
| | HTE 12 - 12 - 24 | | 12 | 12 | 24 | 54 | 27 |
| | HTE 12 - 12 - 30 | | 12 | 12 | 30 | 60 | 27 |
| | HTE 12 - 12 - 36 | | 12 | 12 | 36 | 66 | 27 |
| | HTE 12 - 18 - 24 | | 12 | 18 | 24 | 54 | 33 |
| | HTE 12 - 18 - 30 | | 12 | 18 | 30 | 60 | 33 |
| | HTE 12 - 18 - 36 | | 12 | 18 | 36 | 66 | 33 |
| | HTE 12 - 24 - 30 | | 12 | 24 | 30 | 60 | 39 |
| | HTE 12 - 24 - 36 | | 12 | 24 | 36 | 66 | 39 |
| | HTE 12 - 30 - 36 | | 12 | 30 | 36 | 66 | 45 |

ATKORE

560 WHARTON CIRCLE, SUITE E PHONE: 404-696-8585
 ATLANTA, GA 30336 USA FAX: 404-696-8599

DESCRIPTION
 EXPANDING TEE, LADDER & VENT. TROUGH CABLE TRAY, 12" RADIUS, CLASS 3

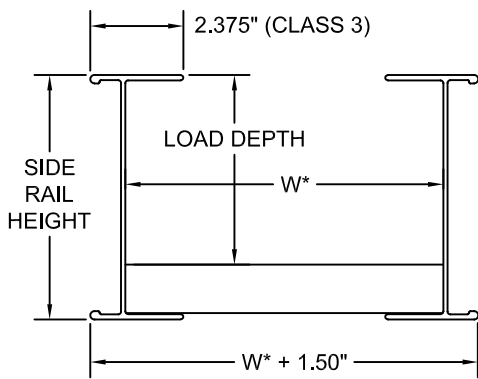
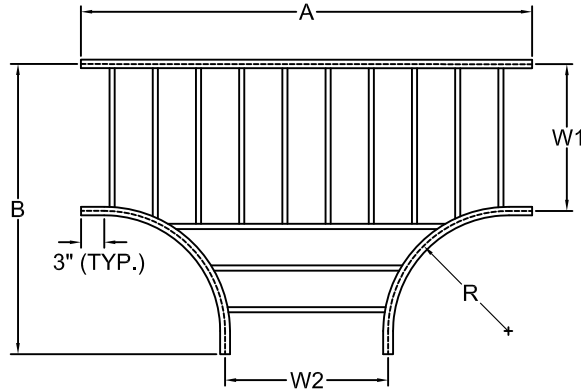
DRAWING NUMBER
 USP-HTE12-LA-3

SHEET NO.
 1 OF 1

DIMENSIONS
 INCHES



| NO. | REVISION | BY | DATE | MATERIAL I.D. |
|-----|----------|----|----------|---------------|
| 0 | APPROVED | TM | 09-12-17 | HTE |
| | | | | |
| | | | | |



TRAY CROSS-SECTION

CATALOG NUMBERS ‡ MARK "1/4" IN BOX TO INCLUDE IN SUBMITTAL

MATERIAL
A ALUMINUM

EXAMPLE: A63 - 09 - HTE24 - 12 - 36 - S

| SIDE RAIL HEIGHT | LOAD DEPTH | ‡ | FITTING CLASS | ‡ | RUNG SPACING | ‡ | FASTENER FINISH | ‡ |
|------------------|------------|----|---------------|----------------|--------------|----|--------------------------|---------------------|
| NOMINAL | ACTUAL | | | | | | | |
| 6 | 6.25" | 5" | 3 | 2.375" FLANGES | 06 | 6" | G | GEOMET PLATED STEEL |
| 7 | 7.25" | 6" | | | 09 | 9" | | |
| | | | 12 | 12" | | | | |
| | | | VT | 5" | | S | TYPE 316 STAINLESS STEEL | |

| INCLUDED ITEMS | CATALOG NO.* | QTY. |
|--|----------------------|--------|
| SPLICE PLATE, STANDARD 8 HOLES, 5-1/4" L SUPPLIED IN PAIRS | SPS-A(H*)-(G OR S)8 | 2 PR. |
| RIBBED-NECK SCREW PHILLIPS RECESS 3/8" DIA. x 3/4" LONG | F-RNS-38-34-(G OR S) | 32 EA. |
| FLANGED HEX NUT 3/8" DIA., SERRATED FACE 9/16" SOCKET SIZE | F-FHN-38-(G OR S) | 32 EA. |

(H*) = NOMINAL SIDE RAIL HEIGHT (6 OR 7)

SPLICE PLATES: NECESSARY SPLICE CONNECTORS AND FASTENERS ARE AUTOMATICALLY SUPPLIED WITH ALL TRAYS. SPLICE RESISTANCE IS LESS THAN 0.00033 OHMS. FASTENER FINISHES ARE GEOMET-PLATED STEEL (G) AND TYPE 316 STAINLESS STEEL (S).



CLASSIFIED BY UNDERWRITERS LABORATORIES AS TO ITS SUITABILITY AS AN EQUIPMENT GROUNDING CONDUCTOR ONLY PER NEC 392. METAL CABLE TRAY IN ACCORDANCE WITH THE STANDARD FOR CABLE TRAY SYSTEMS CAN/CSA-C22.2 NO. 126 (UL FILE NO. E341872)

| |
|--|
| MATERIAL: EXTRUDED ALUMINUM ALLOY 6063 |
| FINISH: PLAIN |
| TRAY TYPE: LADDER, TWO RAILS |
| BOTTOM: 1.13" WIDE RUNGS (TUBULAR WITH OPEN SLOT) |
| CONSTRUCTION: ARC-WELDED ON BOTH SIDES OF RUNGS |
| FITTING CLASS: 3 (2.375" FLANGES) |
| TANGENTS: 3" (FLAT SIDE RAIL BEYOND CURVATURE) |

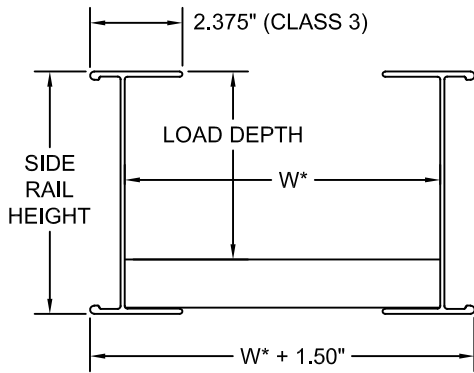
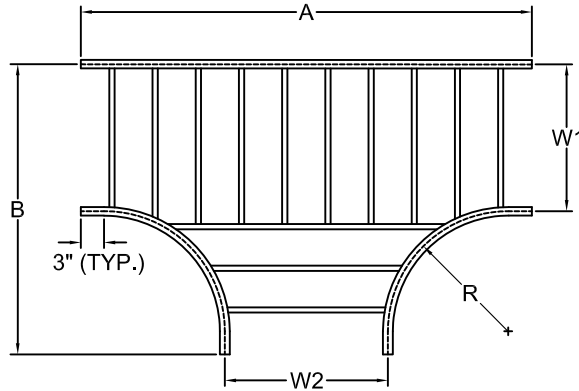
THIS CABLE TRAY SYSTEM IS IN FULL COMPLIANCE WITH ALL ASPECTS OF THE LATEST REVISIONS OF NEMA STANDARD VE1, CSA C22.2 NO. 126 AND THE NATIONAL ELECTRIC CODE ARTICLE 392.

| ‡ | ITEM CODE | FITTING DIMENSIONS (INCHES) | | | | | |
|---|-----------------|-----------------------------|----|----|----|----|----|
| | | RADIUS - W1 - W2 | R | W1 | W2 | A | B |
| | HTE24 - 06 - 09 | | 24 | 6 | 9 | 63 | 33 |
| | HTE24 - 06 - 12 | | 24 | 6 | 12 | 66 | 33 |
| | HTE24 - 06 - 18 | | 24 | 6 | 18 | 72 | 33 |
| | HTE24 - 06 - 24 | | 24 | 6 | 24 | 78 | 33 |
| | HTE24 - 06 - 30 | | 24 | 6 | 30 | 84 | 33 |
| | HTE24 - 06 - 36 | | 24 | 6 | 36 | 90 | 33 |
| | HTE24 - 09 - 12 | | 24 | 9 | 12 | 66 | 36 |
| | HTE24 - 09 - 18 | | 24 | 9 | 18 | 72 | 36 |
| | HTE24 - 09 - 24 | | 24 | 9 | 24 | 78 | 36 |
| | HTE24 - 09 - 30 | | 24 | 9 | 30 | 84 | 36 |
| | HTE24 - 09 - 36 | | 24 | 9 | 36 | 90 | 36 |
| | HTE24 - 12 - 18 | | 24 | 12 | 18 | 72 | 39 |
| | HTE24 - 12 - 24 | | 24 | 12 | 24 | 78 | 39 |
| | HTE24 - 12 - 30 | | 24 | 12 | 30 | 84 | 39 |
| | HTE24 - 12 - 36 | | 24 | 12 | 36 | 90 | 39 |
| | HTE24 - 18 - 24 | | 24 | 18 | 24 | 78 | 45 |
| | HTE24 - 18 - 30 | | 24 | 18 | 30 | 84 | 45 |
| | HTE24 - 18 - 36 | | 24 | 18 | 36 | 90 | 45 |
| | HTE24 - 24 - 30 | | 24 | 24 | 30 | 84 | 51 |
| | HTE24 - 24 - 36 | | 24 | 24 | 36 | 90 | 51 |
| | HTE24 - 30 - 36 | | 24 | 30 | 36 | 90 | 57 |

| | | |
|--|--|-----------------------------|
| ATKORE | | SHEET NO. 1 OF 1 |
| 560 WHARTON CIRCLE, SUITE E ATLANTA, GA 30336 USA | | DIMENSIONS INCHES |
| PHONE: 404-696-8585 FAX: 404-696-8599 | | |
| DESCRIPTION EXPANDING TEE, LADDER & VENT. TROUGH CABLE TRAY, 24" RADIUS, CLASS 3 | | |
| DRAWING NUMBER USP-HTE24-LA-3 | | |



| NO. | REVISION | BY | DATE | MATERIAL I.D. |
|-----|----------|----|----------|---------------|
| 0 | APPROVED | TM | 09-12-17 | HTE |
| | | | | |
| | | | | |



TRAY CROSS-SECTION

CATALOG NUMBERS ‡ MARK "√" IN BOX TO INCLUDE IN SUBMITTAL

EXAMPLE: **A73 - 09 - HTE36 - 24 - 36 - S**

| MATERIAL | | LOAD DEPTH ‡ | | FITTING CLASS ‡ | | RUNG SPACING ‡ | | FASTENER FINISH ‡ | |
|----------|----------|--------------|--------|-----------------|---------|----------------|-------|-------------------|--------------------------|
| NOMINAL | ACTUAL | NOMINAL | ACTUAL | CLASS | FLANGES | SPACING | DEPTH | FINISH | TYPE |
| A | ALUMINUM | 6 | 6.25" | 3 | 2.375" | 06 | 6" | G | GEOMET PLATED STEEL |
| | | 7 | 7.25" | | | 09 | 9" | | |
| | | | | | | 12 | 12" | | |
| | | | | | | VT | 5" | S | TYPE 316 STAINLESS STEEL |

| INCLUDED ITEMS | CATALOG NO.* | QTY. |
|--|----------------------|--------|
| SPLICE PLATE, STANDARD 8 HOLES, 5-1/4"L SUPPLIED IN PAIRS | SPS-A(H*)-(G OR S)8 | 2 PR. |
| RIBBED-NECK SCREW PHILLIPS RECESS 3/8" DIA. x 3/4" LONG | F-RNS-38-34-(G OR S) | 32 EA. |
| FLANGED HEX NUT 3/8" DIA., SERRATED FACE 9/16" SOCKET SIZE | F-FHN-38-(G OR S) | 32 EA. |

(H*) = NOMINAL SIDE RAIL HEIGHT (6 OR 7)

SPLICE PLATES: NECESSARY SPLICE CONNECTORS AND FASTENERS ARE AUTOMATICALLY SUPPLIED WITH ALL TRAYS. SPLICE RESISTANCE IS LESS THAN 0.00033 OHMS. FASTENER FINISHES ARE GEOMET-PLATED STEEL (G) AND TYPE 316 STAINLESS STEEL (S).

CLASSIFIED

 CLASSIFIED BY UNDERWRITERS LABORATORIES AS TO ITS SUITABILITY AS AN EQUIPMENT GROUNDING CONDUCTOR ONLY PER NEC 392. METAL CABLE TRAY IN ACCORDANCE WITH THE STANDARD FOR CABLE TRAY SYSTEMS CAN/CSA-C22.2 NO. 126 (UL FILE NO. E341872)

MATERIAL: EXTRUDED ALUMINUM ALLOY 6063
FINISH: PLAIN
TRAY TYPE: LADDER, TWO RAILS
BOTTOM: 1.13" WIDE RUNGS (TUBULAR WITH OPEN SLOT)
CONSTRUCTION: ARC-WELDED ON BOTH SIDES OF RUNGS
FITTING CLASS: 3 (2.375" FLANGES)
TANGENTS: 3" (FLAT SIDE RAIL BEYOND CURVATURE)

THIS CABLE TRAY SYSTEM IS IN FULL COMPLIANCE WITH ALL ASPECTS OF THE LATEST REVISIONS OF NEMA STANDARD VE1, CSA C22.2 NO. 126 AND THE NATIONAL ELECTRIC CODE ARTICLE 392.

| ‡ | ITEM CODE | FITTING DIMENSIONS (INCHES) | | | | |
|---|-----------------|-----------------------------|----|----|-----|----|
| | | RADIUS - W1 - W2 | R | W1 | W2 | A |
| | HTE36 - 06 - 09 | 36 | 6 | 9 | 87 | 45 |
| | HTE36 - 06 - 12 | 36 | 6 | 12 | 90 | 45 |
| | HTE36 - 06 - 18 | 36 | 6 | 18 | 96 | 45 |
| | HTE36 - 06 - 24 | 36 | 6 | 24 | 102 | 45 |
| | HTE36 - 06 - 30 | 36 | 6 | 30 | 108 | 45 |
| | HTE36 - 06 - 36 | 36 | 6 | 36 | 114 | 45 |
| | HTE36 - 09 - 12 | 36 | 9 | 12 | 90 | 48 |
| | HTE36 - 09 - 18 | 36 | 9 | 18 | 96 | 48 |
| | HTE36 - 09 - 24 | 36 | 9 | 24 | 102 | 48 |
| | HTE36 - 09 - 30 | 36 | 9 | 30 | 108 | 48 |
| | HTE36 - 09 - 36 | 36 | 9 | 36 | 114 | 48 |
| | HTE36 - 12 - 18 | 36 | 12 | 18 | 96 | 51 |
| | HTE36 - 12 - 24 | 36 | 12 | 24 | 102 | 51 |
| | HTE36 - 12 - 30 | 36 | 12 | 30 | 108 | 51 |
| | HTE36 - 12 - 36 | 36 | 12 | 36 | 114 | 51 |
| | HTE36 - 18 - 24 | 36 | 18 | 24 | 102 | 57 |
| | HTE36 - 18 - 30 | 36 | 18 | 30 | 108 | 57 |
| | HTE36 - 18 - 36 | 36 | 18 | 36 | 114 | 57 |
| | HTE36 - 24 - 30 | 36 | 24 | 30 | 108 | 63 |
| | HTE36 - 24 - 36 | 36 | 24 | 36 | 114 | 63 |
| | HTE36 - 30 - 36 | 36 | 30 | 36 | 114 | 69 |

| | | |
|---|--|--|
| ATKORE | | SHEET NO. 1 OF 1 |
| 560 WHARTON CIRCLE, SUITE E ATLANTA, GA 30336 USA | | PHONE: 404-696-8585 FAX: 404-696-8599 |
| DESCRIPTION EXPANDING TEE, LADDER & VENT. TROUGH CABLE TRAY, 36" RADIUS, CLASS 3 | | DIMENSIONS INCHES |
| DRAWING NUMBER USP-HTE36-LA-3 | | |