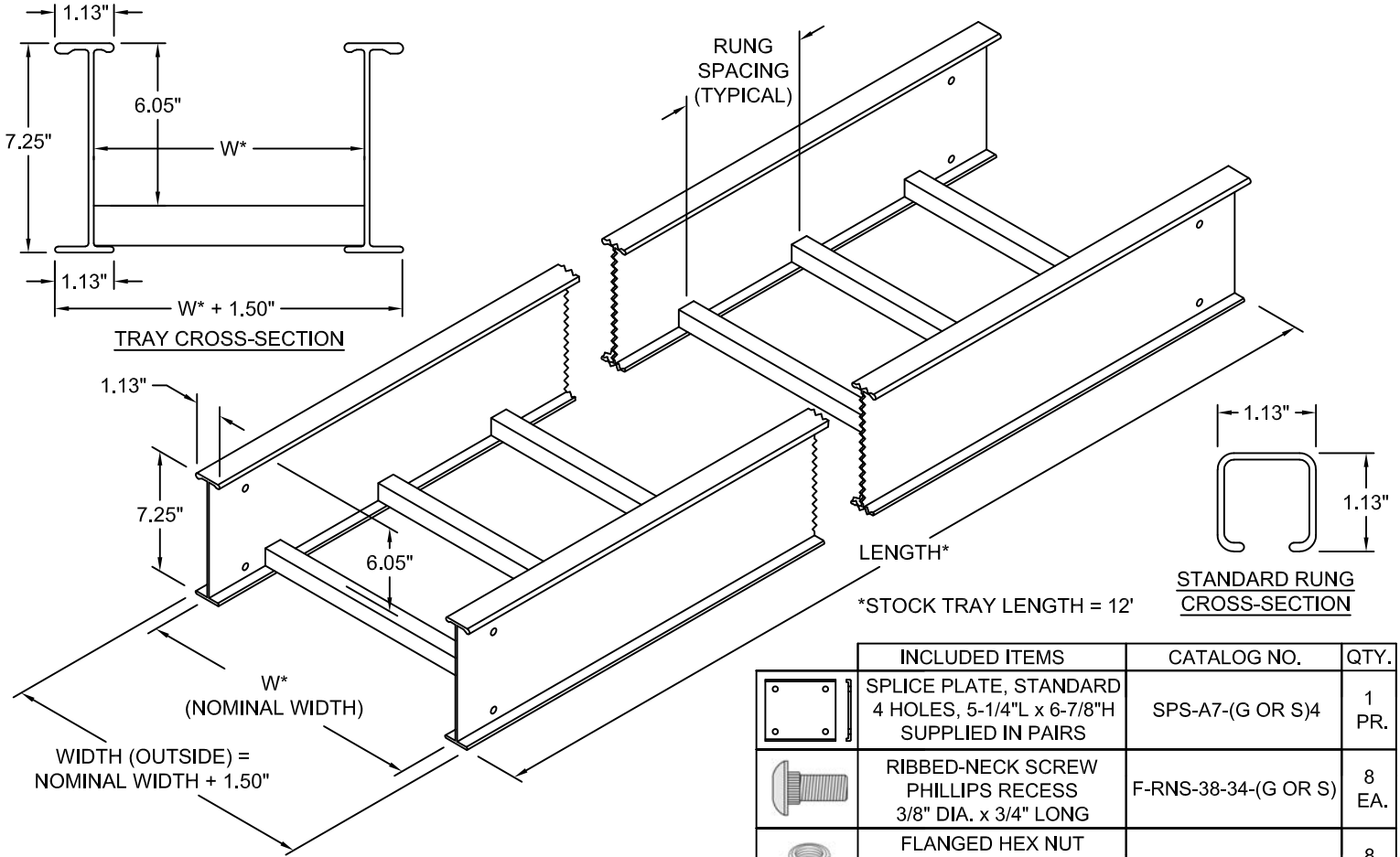




NO.	REVISION	BY	DATE	MATERIAL I.D.
0	APPROVED	TM	03-25-11	A712C-LA
1	ADDED RUNG OPTIONS, REVISED TITLE BLOCK	TM	10-12-15	



	INCLUDED ITEMS	CATALOG NO.	QTY.
	SPLICE PLATE, STANDARD 4 HOLES, 5-1/4"L x 6-7/8"H SUPPLIED IN PAIRS	SPS-A7-(G OR S)4	1 PR.
	RIBBED-NECK SCREW PHILLIPS RECESS 3/8" DIA. x 3/4" LONG	F-RNS-38-34-(G OR S)	8 EA.
	FLANGED HEX NUT 3/8" DIA., SERRATED FACE 9/16" SOCKET SIZE	F-FHN-38-(G OR S)	8 EA.

**SPLICE PLATES:** NECESSARY SPLICE CONNECTORS AND FASTENERS ARE AUTOMATICALLY SUPPLIED WITH ALL STRAIGHT TRAY SECTIONS AND FITTINGS. FASTENER MATERIALS ARE GEOMET-PLATED STEEL (G) AND TYPE 316 STAINLESS STEEL (S).



CLASSIFIED BY UNDERWRITERS LABORATORIES AS TO IT'S SUITABILITY AS AN EQUIPMENT GROUNDING CONDUCTOR ONLY PER NEC 392. METAL CABLE TRAY IN ACCORDANCE WITH THE STANDARD FOR CABLE TRAY SYSTEMS CANADA CSA-C22.2 NO. 126. (UL FILE NO. E341872)

<b>MATERIAL:</b> EXTRUDED ALUMINUM ALLOY 6063-T6
<b>FINISH:</b> PLAIN (POWDER COATED PAINTS AVAILABLE)
<b>CABLE TRAY TYPE:</b> LADDER, TWO RAILS
<b>LOAD RATING (NEMA):</b> 100 LBS/FT, 12' SPAN, CLASS 12C
<b>LOAD RATING (CSA):</b> 214 KG/M, 3.0 METER SPAN, CLASS D
<b>SIDE RAIL HEIGHT:</b> 7" NOMINAL (7.25" ACTUAL)
<b>INSIDE LOAD DEPTH:</b> 6" NOMINAL (6.05" ACTUAL)
<b>BOTTOM:</b> 1.13" WIDE RUNGS (TUBULAR WITH OPEN SLOT)
<b>CONSTRUCTION:</b> ARC-WELDED ON BOTH SIDES OF RUNGS
<b>MIN. CROSS-SECTIONAL AREA PER NEC 392:</b> 1.00 IN <sup>2</sup>
<b>AMPERAGE RATING PER NEC 392:</b> 1,200 AMPERES
<b>TRAY FITTING CLASS:</b> 1 (1.13" WIDE FLANGES)
<b>MOMENT OF INERTIA (EACH SIDE RAIL):</b> 5.347 IN <sup>4</sup> (x-x)
<b>SECTION MODULUS (EACH SIDE RAIL):</b> 1.342 IN <sup>3</sup> (x-x)

THIS CABLE TRAY SYSTEM IS IN FULL COMPLIANCE WITH ALL ASPECTS OF THE LATEST REVISIONS OF NEMA STANDARD VE1, CSA C22.2 NO. 126 AND NATIONAL ELECTRICAL CODE ART. 392.

CATALOG NUMBERS

EXAMPLE: **A712C - 09(t) - SL12 - 24 - S** ‡ MARK "√" IN BOX TO INCLUDE IN SUBMITTAL

CABLE TRAY SYSTEM NO.	RUNG SPACING ‡	ITEM CODE	LENGTH ‡		WIDTH (W) ‡		FASTENER MATERIAL ‡
			10	10'-0"	06	6"	
A712C	06	SL STRAIGHT LENGTH	12	12'-0"	09	9"	G GEOMET PLATED STEEL
	09		20	20'-0"	12	12"	
	12		24	24'-0"	18	18"	S TYPE 316 STAINLESS STEEL
					24	24"	
					30	30"	
					36	36"	

‡ RUNG TYPE: RUNG AND BOTTOM DESIGN OPTIONS

BLANK: STANDARD 1.13" WIDE TUBULAR RUNG

OPTIONAL RUNG OR BOTTOM DESIGN AS SHOWN ON DRAWING USP-AL-RB-2

CUSTOM TRAY LENGTHS AND WIDTHS ARE AVAILABLE; CONSULT FACTORY.

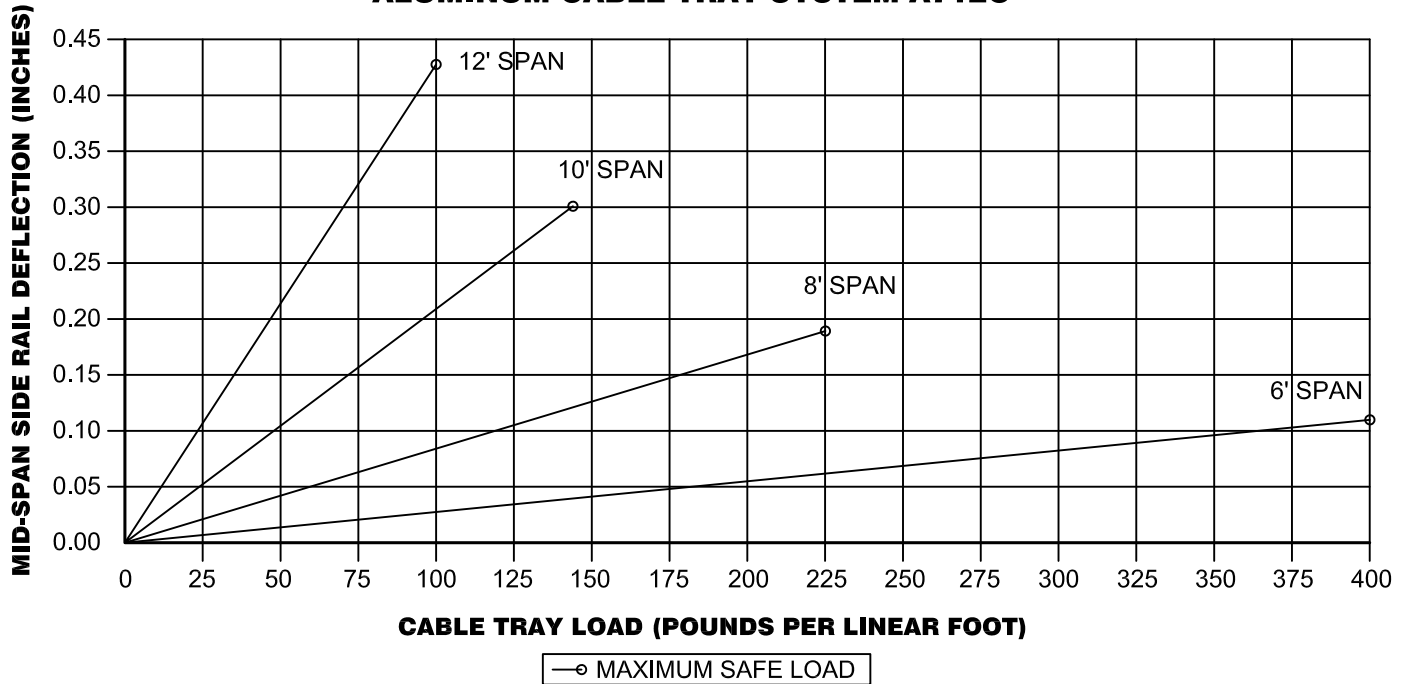
<b>ATKORE</b>		<b>SHEET NO.</b> 1 OF 1
560 WHARTON CIRCLE, SUITE E ATLANTA, GA 30336 USA		<b>DIMENSIONS</b> INCHES
PHONE: 404-696-8585 FAX: 404-696-8599		

<b>DESCRIPTION</b> CABLE TRAY STRAIGHT SECTION, LADDER, ALUM. 7" HIGH, CLASS 12C
<b>DRAWING NUMBER</b> USP-A712C-LA-SL12



NO.	REVISION	BY	DATE	MATERIAL I.D.
0	APPROVED	TM	03-25-11	A712C-LC
1	REVISED TITLE BLOCK, NOTE 5	TM	10-12-15	

### SAFE LOAD AND DEFLECTION OF CABLE TRAY SIDE RAILS ALUMINUM CABLE TRAY SYSTEM A712C



TRAY SYSTEM	SAFETY FACTOR	TRAY SAFE LOAD DATA TESTED PER NEMA VE-1	SUPPORT SPAN (FEET)			
			6	8	10	12
A712C	1.5	MAX. SAFE LOAD (LBS/FT)	400	225	144	100
		DEFLECTION (INCHES)	0.11	0.19	0.30	0.43
		DEFLECTION MULTIPLIER	0.00027	0.00085	0.00207	0.00430

SAFETY FACTOR	RUNG SAFE LOAD LIMITS, TESTED PER NEMA VE-1 SECTION 5.4	TRAY WIDTH (INCHES)						
		6	9	12	18	24	30	36
1.5	MAX. SAFE LOAD (LBS, UNIFORM)	2400	1600	1200	800	600	778	649
	MAX. SAFE LOAD (LBS, CONCENTRATED)	1200	800	600	400	300	389	324

- THIS DATA APPLIES TO ALL LADDER, VENTED/TROUGH, AND FLAT-SHEET SOLID BOTTOM CABLE TRAYS THAT EMPLOY SIDE RAIL SYSTEM A712C. ALL OF THESE TRAY TYPES ARE CONSTRUCTED WITH RUNGS.
- DATA IS BASED ON SIMPLE-BEAM TYPE SUPPORTS WITH EVENLY DISTRIBUTED LOADS.
- MAXIMUM SAFE LOAD IS BASED ON A SAFETY FACTOR OF 1.5 APPLIED TO COLLAPSE.
- WHEN SUPPORTED ON MULTIPLE-SPAN ARRANGEMENTS, ACTUAL DEFLECTION WILL BE UP TO 60% LESS THAN THE SIMPLE-BEAM DEFLECTION SHOWN.
- ALL LOAD TESTS WERE CONDUCTED IN ACCORDANCE WITH NEMA STD. VE1, CSA C22.2 NO. 126. 36" WIDE TRAYS WERE TESTED ON 12'-0" SUPPORT SPANS. DATA SHOWN FOR SPANS LESS THAN 12' ARE EXTRAPOLATED PER NEMA VE1. DETAILED TEST REPORTS ARE AVAILABLE UPON REQUEST; CONTACT ENGINEERING DEPT.
- MULTIPLY THE DEFLECTION MULTIPLIER BY THE ACTUAL LOAD (LBS/FT) TO CALCULATE THE DEFLECTION (INCHES) AT LOADS LESS THAN THE MAXIMUM SAFE LOAD.
- THIS TRAY SYSTEM WILL SUPPORT A 200 POUND CONCENTRATED STATIC LOAD APPLIED AT THE CENTER OF ANY RUNG, IN ADDITION TO THE FULL SAFE CABLE LOAD, WITHOUT FAILURE OF THE RUNG OR THE SIDE RAILS.



THE LOAD AND DEFLECTION DATA OF THIS CABLE TRAY SYSTEM IS BASED ON DESTRUCTION LOAD TESTS PER NEMA VE1, CSA C22.2 NO. 126 THAT WERE WITNESSED AND CERTIFIED ACCURATE BY UNDERWRITERS LABORATORIES, INC.

<b>ATKORE</b>		SHEET NO. 1 OF 1
560 WHARTON CIRCLE, SUITE E ATLANTA, GA 30336 USA		PHONE: 404-696-8585 FAX: 404-696-8599
DESCRIPTION <b>LOADING DATA FOR CABLE TRAY SYSTEMS A712C</b>		
DRAWING NUMBER <b>USP-A712C-LDATA15-12</b>		DIMENSIONS INCHES