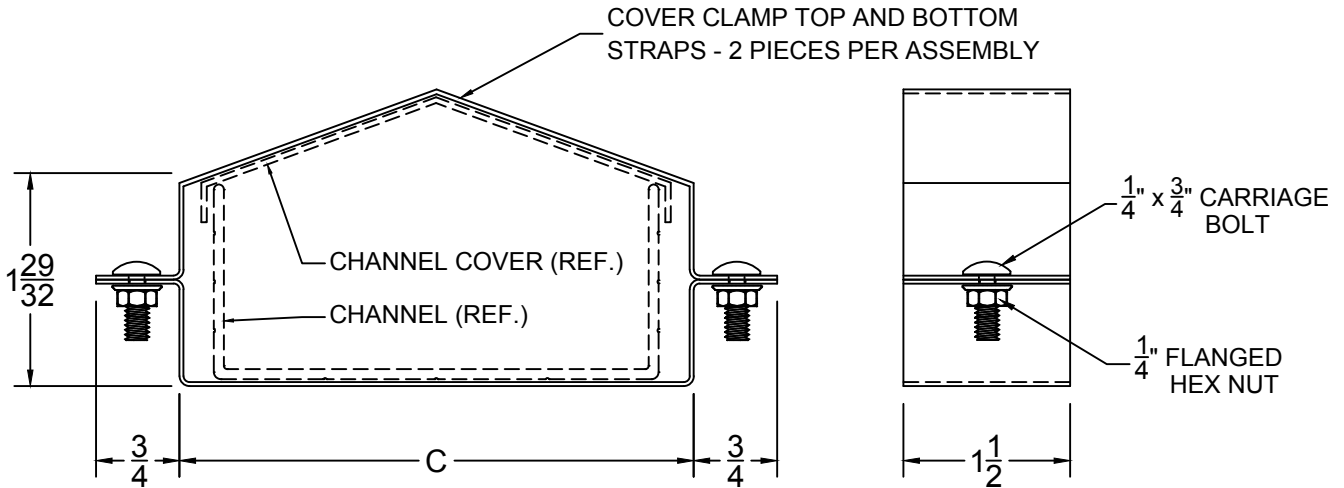
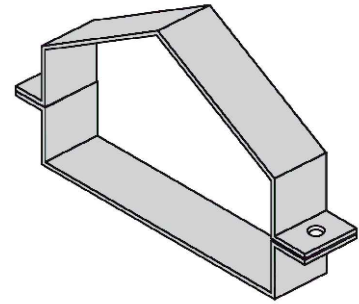
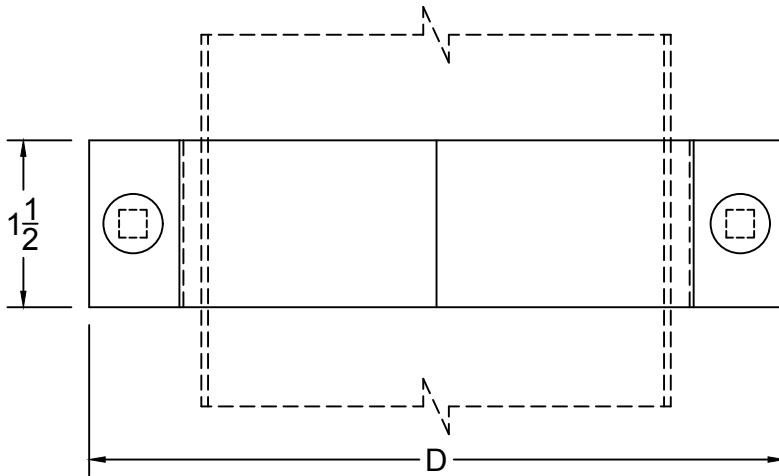




NO.	REVISION	BY	DATE	MATERIAL I.D.
0	APPROVED	TM	04-17-15	CPS-AC



	FASTENER MATERIAL	INCLUDED FASTENERS	FASTENER CATALOG NO.	QTY.
S	TYPE 316 STAINLESS STEEL	$\frac{1}{4}$ " x $\frac{3}{4}$ " CARRIAGE BOLT	F-SNC-14-75-S	2
		$\frac{1}{4}$ " FLANGED HEX NUT	F-FHN-14-S	2

‡ MARK "√" IN BOX TO INCLUDE IN SUBMITTAL

NOTES:

1. COMPLETE ASSEMBLY CONSISTS OF (2) COVER CLAMP STRAPS (ONE TOP AND ONE BOTTOM) AND FASTENERS INDICATED.
2. THIS ITEM IS SUITABLE FOR USE WITH ALL 20 DEGREE PEAKED COVERS INSTALLED HORIZONTALLY, VERTICALLY, INDOORS, OR OUTDOORS.
3. INSTALL ON 36" TO 48" CENTERS ON STRAIGHT CHANNEL SECTIONS.
4. ON FITTINGS, INSTALL TWO ON ELBOWS, THREE ON TEES AND 4 ON CROSSES.

CHANNEL WIDTH	CATALOG NUMBER	C* INCHES	D* INCHES	‡
W*				
3"	CPS-AC-03-S	3.50"	5.00"	
4"	CPS-AC-04-S	4.50"	6.00"	
6"	CPS-AC-06-S	6.50"	8.00"	

ATKORE		SHEET NO. 1 OF 1
560 WHARTON CIRCLE, SUITE E ATLANTA, GA 30336 USA		PHONE: 404-696-8585 FAX: 404-696-8599
DESCRIPTION PEAKED COVER CONNECTOR STRAP ASSEMBLY FOR CHANNEL		
CATALOG NUMBER	CATALOG NUMBER VARIABLES	
CPS-AC-(W*)S	W* = CHANNEL WIDTH IN INCHES (03, 04, 06)	

MATERIAL: ALUMINUM ALLOY 5052-H32, 0.063" THICK

NOTE: ALL DIMENSIONS ARE SUBJECT TO THE MANUFACTURING TOLERANCE SPECIFICATIONS IN DOCUMENT USP-QA-05-02.