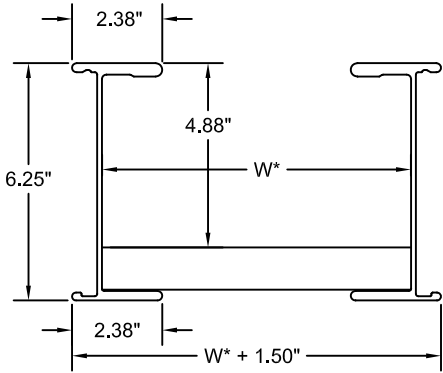
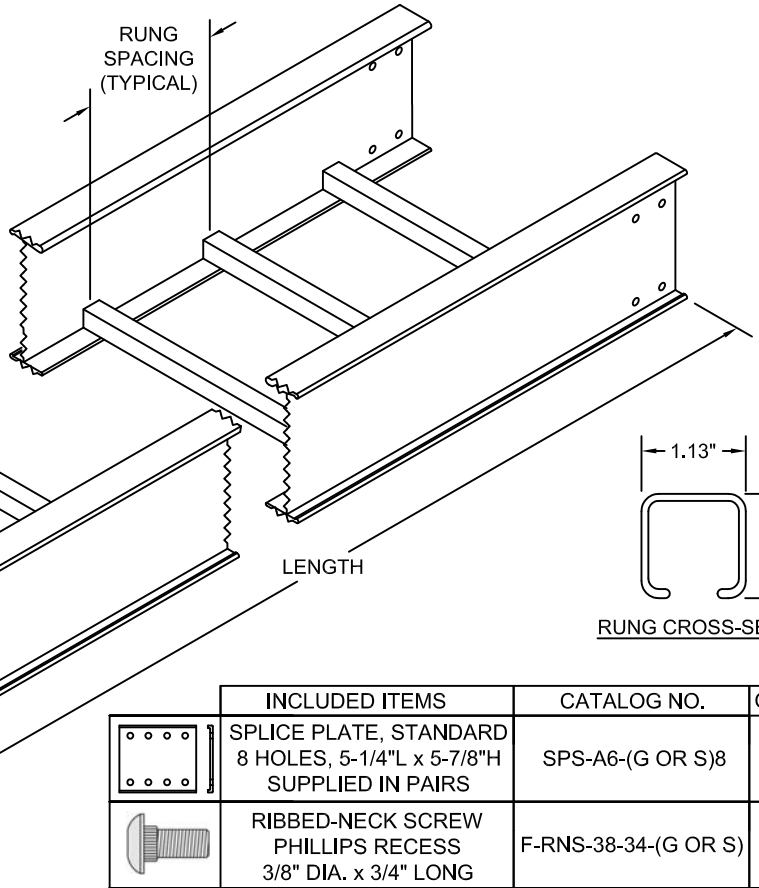




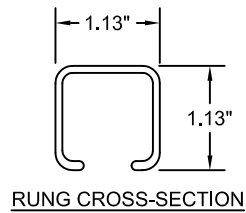
NO.	REVISION	BY	DATE	MATERIAL I.D.
0	APPROVED	TM	06-15-15	SL



TRAY CROSS-SECTION



WIDTH (OUTSIDE) =
NOMINAL WIDTH + 1.50"



RUNG CROSS-SECTION

	INCLUDED ITEMS	CATALOG NO.	QTY.
	SPLICE PLATE, STANDARD 8 HOLES, 5-1/4"L x 5-7/8"H SUPPLIED IN PAIRS	SPS-A6-(G OR S)8	1 PR.
	RIBBED-NECK SCREW PHILLIPS RECESS 3/8" DIA. x 3/4" LONG	F-RNS-38-34-(G OR S)	16 EA.
	FLANGED HEX NUT 3/8" DIA., SERRATED FACE 9/16" SOCKET SIZE	F-FHN-38-(G OR S)	16 EA.

SPLICE PLATES: NECESSARY SPLICE CONNECTORS AND FASTENERS ARE AUTOMATICALLY SUPPLIED WITH ALL TRAYS. SPLICE RESISTANCE IS LESS THAN 0.00033 OHMS. FASTENER FINISHES ARE GEOMET-PLATED STEEL (G) AND TYPE 316 STAINLESS STEEL (S).



CLASSIFIED BY UNDERWRITERS LABORATORIES AS TO IT'S SUITABILITY AS AN EQUIPMENT GROUNDING CONDUCTOR ONLY PER NEC 392. METAL CABLE TRAY IN ACCORDANCE WITH THE STANDARD FOR CABLE TRAY SYSTEMS CANADA CSA-C22.2 NO. 126. (UL FILE NO. E341872)

MATERIAL: EXTRUDED ALUMINUM ALLOY 6063-T6
FINISH: PLAIN
CABLE TRAY TYPE: LADDER, TWO RAILS
LOAD RATING (NEMA): 126 LBS/FT, 30' SPAN, CLASS 20C+
LOAD RATING (CSA): 284 KG/M, 6.0 METER SPAN, CLASS E
SIDE RAIL HEIGHT: 6" NOMINAL (6.25" ACTUAL)
INSIDE LOAD DEPTH: 5" NOMINAL (4.88" ACTUAL)
BOTTOM: 1.13" WIDE RUNGS (TUBULAR WITH OPEN SLOT)
CONSTRUCTION: ARC-WELDED ON BOTH SIDES OF RUNGS
MIN. CROSS-SECTIONAL AREA PER NEC 392: 2.00 IN ²
AMPERAGE RATING PER NEC 392: PERES
TRAY FITTING CLASS: 3 (2.38" WIDE FLANGES)
MOMENT OF INERTIA (EACH SIDE RAIL): 12.562 IN ⁴ (x-x)
SECTION MODULUS (EACH SIDE RAIL): 3.727 IN ³ (x-x)

THIS CABLE TRAY SYSTEM IS IN FULL COMPLIANCE WITH ALL ASPECTS OF THE LATEST REVISIONS OF NEMA STANDARD VE1, CSA C22.2 NO. 126 AND NATIONAL ELECTRICAL CODE ART. 392.

CATALOG NUMBERS ‡ MARK "v" IN BOX TO INCLUDE IN SUBMITTAL

EXAMPLE: **A620D - 09 - SL30 - 24 - G**

TRAY SYSTEM	RUNG SPACING ‡	ITEM CODE	LENGTH ‡	WIDTH (W) ‡	FASTENER FINISH ‡
A620D	06 6" 09 9" 12 12"	SL	30 30'-0"	06 6" 09 9" 12 12" 18 18" 24 24" 30 30" 36 36"	G GEOMET PLATED STEEL S TYPE 316 STAINLESS STEEL

DESCRIPTION		SHEET NO. 1 OF 1
LADDER CABLE TRAY STRAIGHT SECTION, ALUM. 6" HIGH, CLASS 20C+		
DRAWING NUMBER		DIMENSIONS INCHES
USP-A620D-LA-SL30-UL		